

KALLISTA®

One™ by KALLISTA
Sink faucet, gooseneck spout, P.E. Guerin
decorative handles
P32358-ULB

Features

- High-quality solid-brass construction for durability and reliability
- Widespread sink faucet for 8" – 16" (203 – 406 mm) centers
- Spout reach is 6-1/2" (165 mm)
- Laminar flow
- Includes soft-touch drain
- 1.2 gpm (4.5 lpm) maximum flow rate

Recommended Products/Accessories

P74234-WO Under-mount Sink, Soft Rectangle with Overflow, Glazed
P23347-LV Wall-Mount Sink Faucet, Lever Handles
P34402-00 Towel Bar, 18"
P34407-00 Disc Hook



ADA

CSA B651

OBC

Codes/Standards

NSF/ANSI/CAN 61
NSF/ANSI/CAN 372
ADA
ICC/ANSI A117.1
CSA B651
OBC
NOM Standards
NOM 012-CONAGUA

KALLISTA® Five-Year Limited Warranty

See website for detailed warranty
information.

Available Colors/Finishes

Color tiles intended for reference only.

Color	Code	Description
-------	------	-------------

	SN	Polished Nickel
---	----	-----------------

1-888-4-KALLISTA (1-888-452-5547)

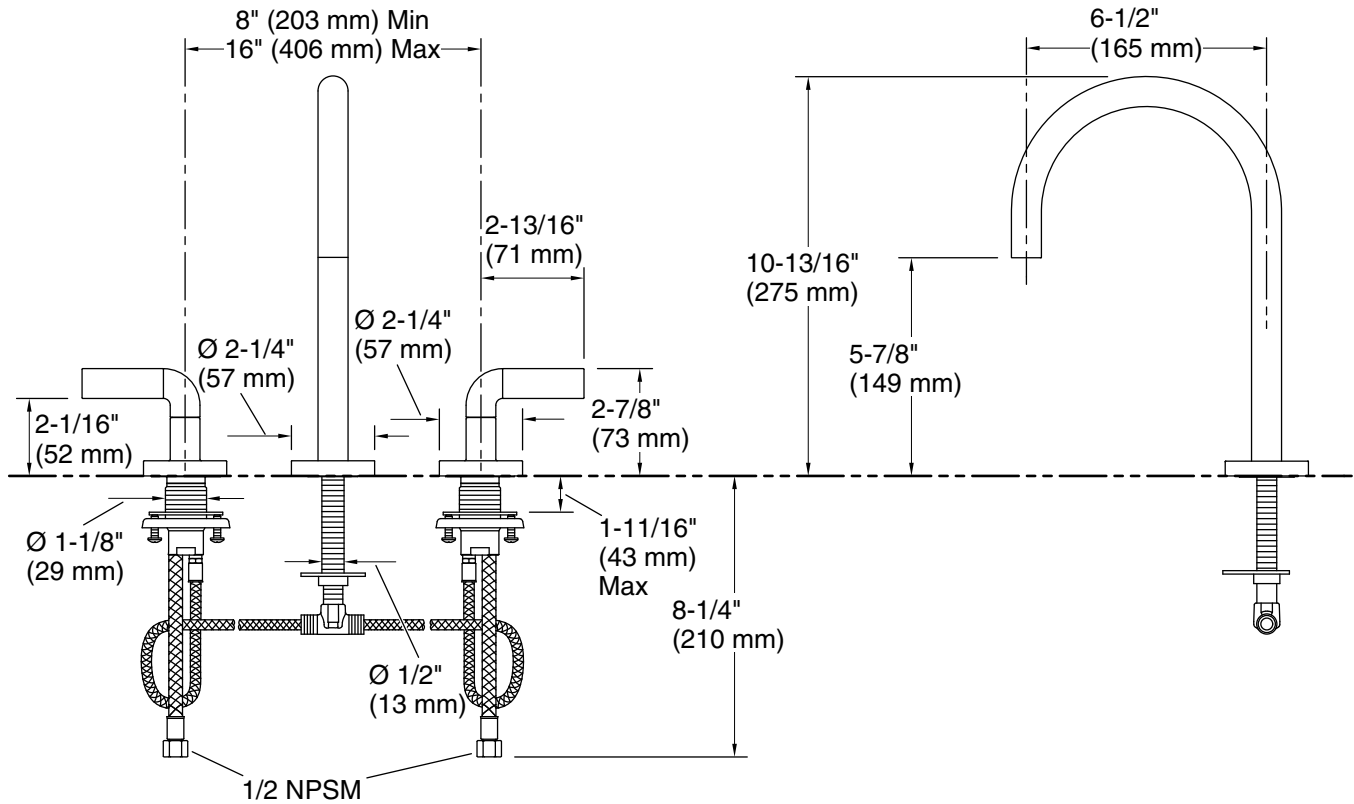
Kallista reserves the right to make revisions without notice to product specifications.

For the most current Specification Sheet, go to www.kallista.com.

1-28-2026 20:59 - US/CA

KALLISTA

One™ by KALLISTA
Sink faucet, gooseneck spout, P.E. Guerin
decorative handles
P32358-ULB



Technical Information

All product dimensions are nominal.

Faucet flow rate: 1.2 gal/min (4.5 l/min)

Drain included: Yes

Drain with overflow: Yes

Spout:

Spout reach: 6-1/2" (165 mm)

Notes

Install this product according to the installation instructions.

ADA, OBC, CSA B651 compliant when installed to the specific requirements of these regulations.

1-888-4-KALLISTA (1-888-452-5547)

Kallista reserves the right to make revisions without notice to product specifications.

For the most current Specification Sheet, go to www.kallista.com.

1-28-2026 20:59 - US/CA