

KALLISTA®

One™ by KALLISTA
Transfer trim, FP5 handle
P32415-BLE

Features

- Solid metal construction for durability and reliability
- Allows for directed water flow
- Required rough-in sold separately

Optional Products/Accessories



ADA **CSA B651** **OBC**

Codes/Standards

ASME A112.18.1/CSA B125.1

ADA

ICC/ANSI A117.1

CSA B651

OBC

KALLISTA® Five-Year Limited Warranty

See website for detailed warranty
information.

Available Colors/Finishes

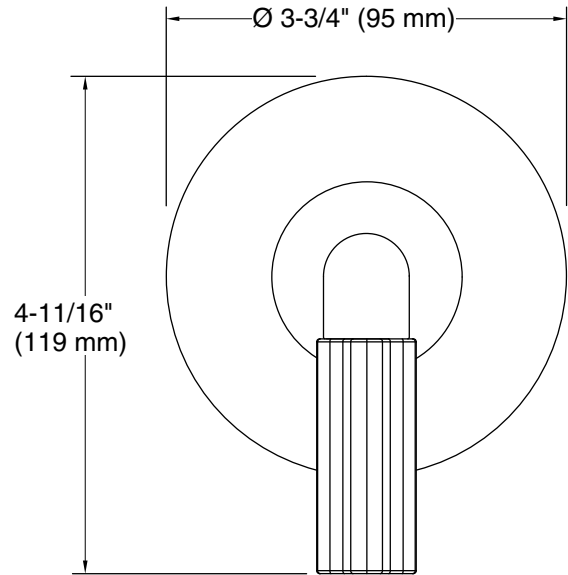
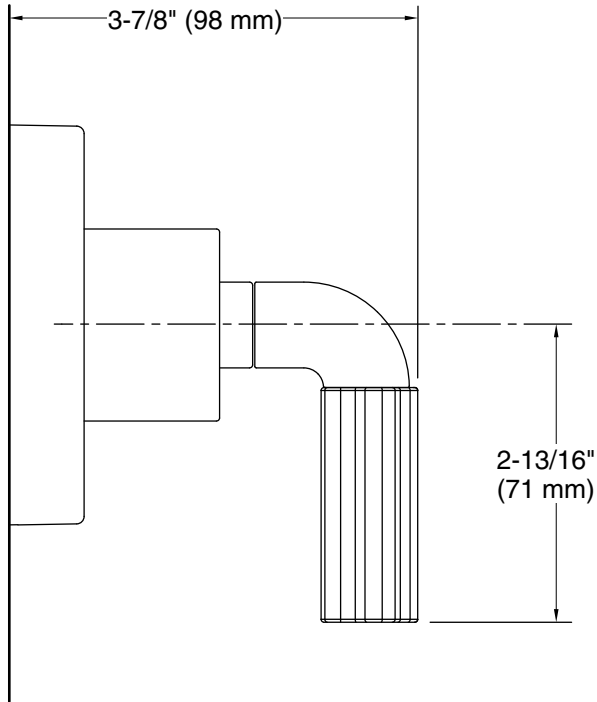
Color tiles intended for reference only.

Color	Code	Description
-------	------	-------------

	CP	Polished Chrome
---	----	-----------------

KALLISTA®

One™ by KALLISTA
Transfer trim, FP5 handle
P32415-BLE



Technical Information

All product dimensions are nominal.

Drain included: No

Notes

Install this product according to the installation instructions.

ADA, OBC, CSA B651 compliant when installed to the specific requirements of these regulations.