

# KALLISTA®

One™ by KALLISTA  
Volume control trim, FP5 handle  
P32416-PNK

## Features

- Solid metal construction for durability and reliability
- Offers a customizable shower experience
- Required rough-in sold separately

## Required Products/Accessories

- P29527-00 1/2" Volume Control Rough-In Assembly  
or  
P29528-00 3/4" Volume Control Rough-In Assembly



**ADA**

**CSA B651**

**OBC**

## Codes/Standards

ASME A112.18.1/CSA B125.1

ADA

ICC/ANSI A117.1

CSA B651

OBC

## KALLISTA® Five-Year Limited Warranty

See website for detailed warranty  
information.

## Available Colors/Finishes

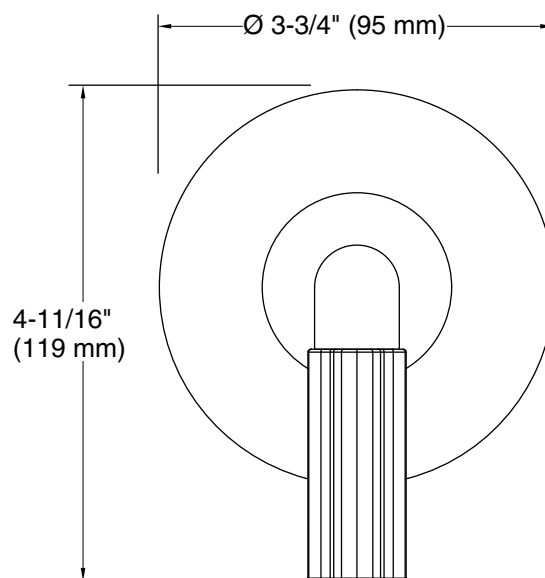
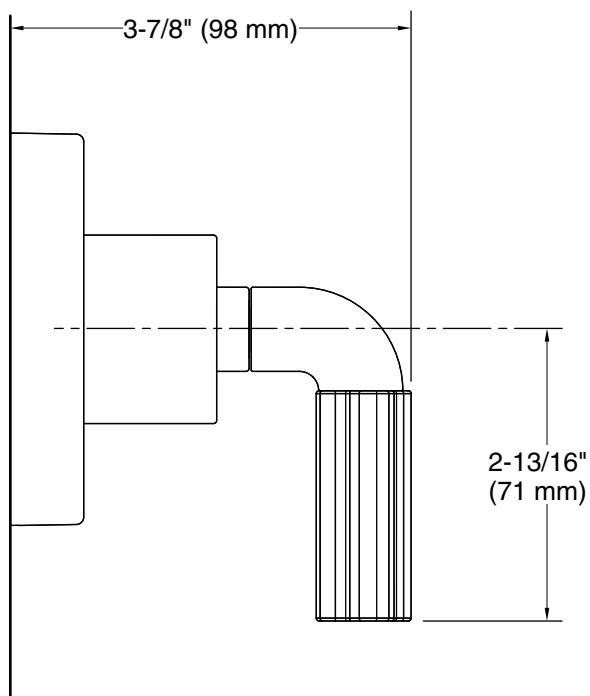
*Color tiles intended for reference only.*

Color Code Description

■ SN Polished Nickel

# KALLISTA®

One™ by KALLISTA  
Volume control trim, FP5 handle  
P32416-PNK



## Technical Information

All product dimensions are nominal.

Drain included: No

## Notes

Install this product according to the installation instructions.

ADA, OBC, CSA B651 compliant when installed to the specific requirements of these regulations.