

KALLISTA®

One™ by KALLISTA
Deck-mount bath faucet, FP5 handles
P32419-CREM

Features

- Solid metal construction for durability and reliability
- Spout reach is 7-3/16" (183 mm)
- Required rough-in sold separately
- Diverter, handshower, and handshower trim sold separately

Required Products/Accessories

P19303-00 3/4" Ceramic High-Flow Valve System

Recommended Products/Accessories

P24843-00 Wand Dual-Function Handshower with Hose

P21930-00 Contemporary Drain Trim Kit

P34402-00 Towel Bar, 18"



ADA

CSA B651

OBC

Codes/Standards

ASME A112.18.1/CSA B125.1

ADA

ICC/ANSI A117.1

CSA B651

OBC

KALLISTA® Five-Year Limited Warranty

See website for detailed warranty
information.

Available Colors/Finishes

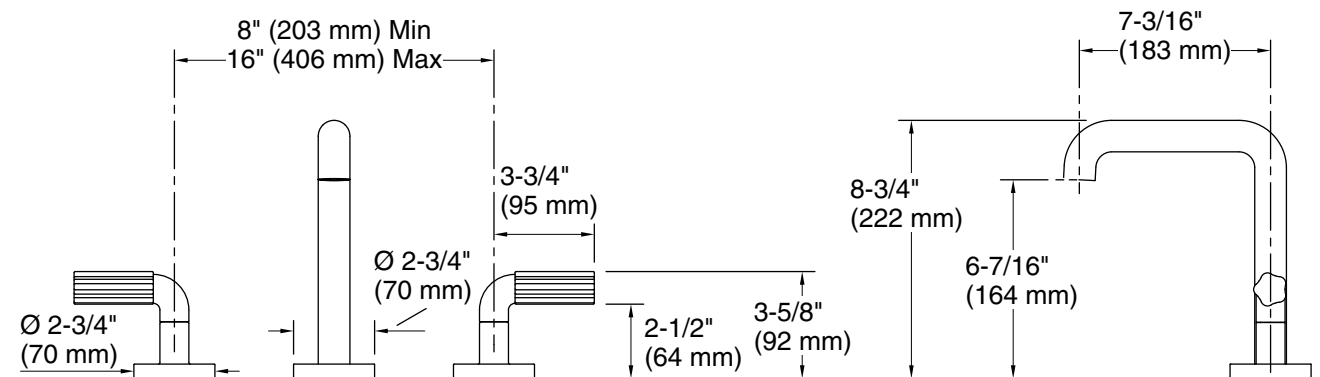
Color tiles intended for reference only.

Color Code Description

■ SN Polished Nickel

KALLISTA

One™ by KALLISTA
Deck-mount bath faucet, FP5 handles
P32419-CREM



Technical Information

All product dimensions are nominal.

Faucet flow rate: 9.98 gal/min (37.8 l/min)

Spout:

Spout reach: 7-3/16" (183 mm)

Notes

Install this product according to the installation instructions.

ADA, OBC, CSA B651 compliant when installed to the specific requirements of these regulations.