

# KALLISTA®

One™ by KALLISTA  
Deck-mount bath faucet, FP5 handles  
P32419-PNK

## Features

- Solid metal construction for durability and reliability
- Spout reach is 7-3/16" (183 mm)
- Required rough-in sold separately
- Diverter, handshower, and handshower trim sold separately

## Required Products/Accessories

P19303-00 3/4" Ceramic High-Flow Valve System

## Recommended Products/Accessories

P50047-G5 Small Rectangular Air Bathtub  
P24843-00 Wand Dual-Function Handshower with Hose  
P21930-00 Contemporary Drain Trim Kit  
P34402-00 Towel Bar, 18"



**ADA**

**CSA B651**

**OBC**

## Codes/Standards

ASME A112.18.1/CSA B125.1

ADA

ICC/ANSI A117.1

CSA B651

OBC

## KALLISTA® Five-Year Limited Warranty

See website for detailed warranty  
information.

## Available Colors/Finishes

*Color tiles intended for reference only.*

Color	Code	Description
-------	------	-------------

	SN	Polished Nickel
---	----	-----------------

---

1-888-4-KALLISTA (1-888-452-5547)

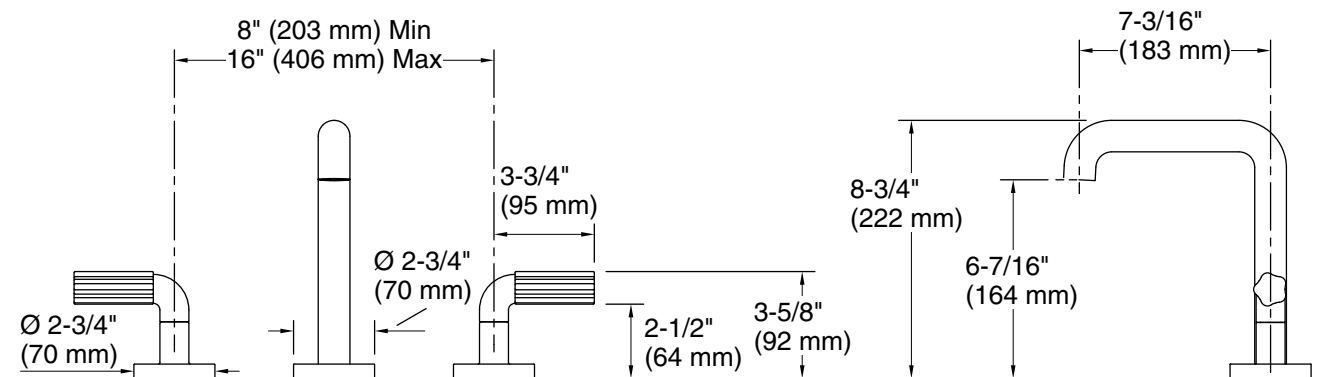
Kallista reserves the right to make revisions without notice to product specifications.

For the most current Specification Sheet, go to [www.kallista.com](http://www.kallista.com).

2-15-2025 22:01 - US/CA

# KALLISTA

One™ by KALLISTA  
Deck-mount bath faucet, FP5 handles  
P32419-PNK



## Technical Information

All product dimensions are nominal.

Faucet flow rate: 9.98 gal/min (37.8 l/min)

Drain included: No

Spout:

Spout reach: 7-3/16" (183 mm)

## Notes

Install this product according to the installation instructions.

ADA, OBC, CSA B651 compliant when installed to the specific requirements of these regulations.