

# KALLISTA®

## Per Se® by KALLISTA Sink Faucet, Low Spout with Lift Rod, Lever Handles P32445-LV

### Features

- High-quality solid metal construction for durability and reliability
- Widespread sink faucet for 8" – 16" (203 – 406 mm) centers
- 1.2 gpm (4.5 lpm) maximum flow rate
- Spout reach is 5-11/16" (144 mm)
- Includes drain and lift rod
- Laminar flow



### Recommended Products/Accessories

- K-23723 Faucet cleaner
- P74234-WO Under-mount Sink, Soft Rectangle with Overflow, Glazed
- P24705-CC Sink faucet, low spout, clear crystal knob handles
- P34700-00 Towel Bar, 24"
- P34706-00 Hook



### Codes/Standards


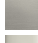



ASME A112.18.1/CSA B125.1  
NSF/ANSI/CAN 61  
NSF/ANSI/CAN 372  
DOE - Energy Policy Act 1992  
EPA WaterSense®  
California Energy Commission (CEC)  
ADA  
ICC/ANSI A117.1  
CSA B651  
OBC

### KALLISTA® Five-Year Limited Warranty

See website for detailed warranty information.

### Available Colors/Finishes

*Color tiles intended for reference only.*

Color	Code	Description
	CP	Polished Chrome
	BN	Brushed Nickel
	SN	Polished Nickel
	AF	French Gold
	BAF	Brushed French Gold

1-888-4-KALLISTA (1-888-452-5547)

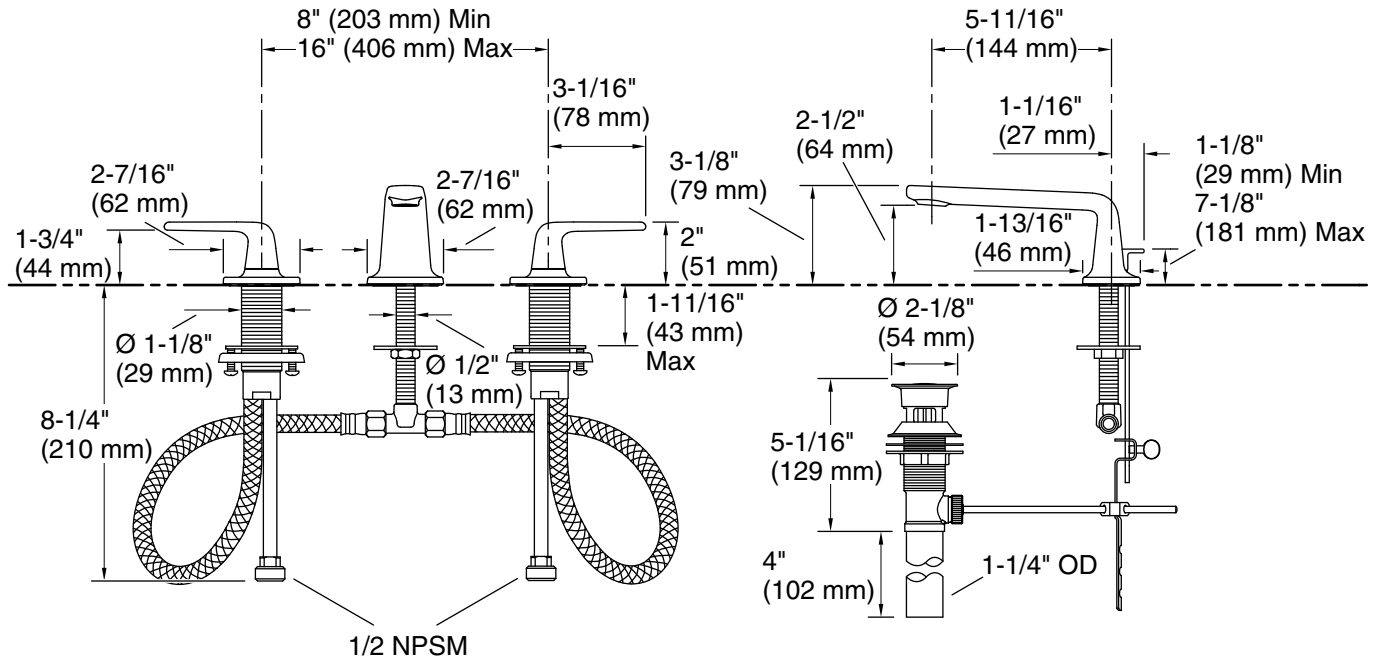
Kallista reserves the right to make revisions without notice to product specifications.

For the most current Specification Sheet, go to [www.kallista.com](http://www.kallista.com).

2-20-2025 22:12 - US/CA

# KALLISTA

Per Se® by KALLISTA  
Sink Faucet, Low Spout with Lift Rod, Lever  
Handles  
P32445-LV



## Technical Information

All product dimensions are nominal.

Faucet flow rate: 1.2 gal/min (4.5 l/min)

Drain included: Yes

Drain with overflow: Yes

Spout:

Spout reach: 5-11/16" (145 mm)

## Notes

Install this product according to the installation instructions.

ADA, OBC, CSA B651 compliant when installed to the specific requirements of these regulations.