

KALLISTA®

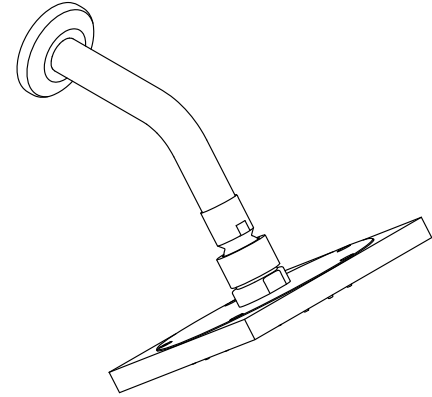
Foundations by KALLISTA Modern Square Showerhead with Arm P32938-00

Features

- High-quality solid-brass construction for durability and reliability
- Wall-mount installation
- Adjustable pivoting sprayface
- Single-function spray
- Easy-to-clean sprayface resists mineral buildup
- 1.75 gpm (6.6 lpm) maximum flow rate

Recommended Products/Accessories

- P33358-00 Bezel™ Thermostatic Trim
- P33359-00 Bezel™ Volume Control Trim
- P33360-00 Bezel™ Eco Transfer Trim
- P32936-00 Modern Square 11" Raindome
- P32965-00 Modern Square Handshower with Hose



Codes/Standards


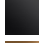
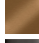

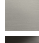


- ASME A112.18.1/CSA B125.1
- DOE - Energy Policy Act 1992
- EPA WaterSense®
- California Energy Commission (CEC)

KALLISTA® Five-Year Limited Warranty

See website for detailed warranty information.

Available Colors/Finishes

Color tiles intended for reference only.

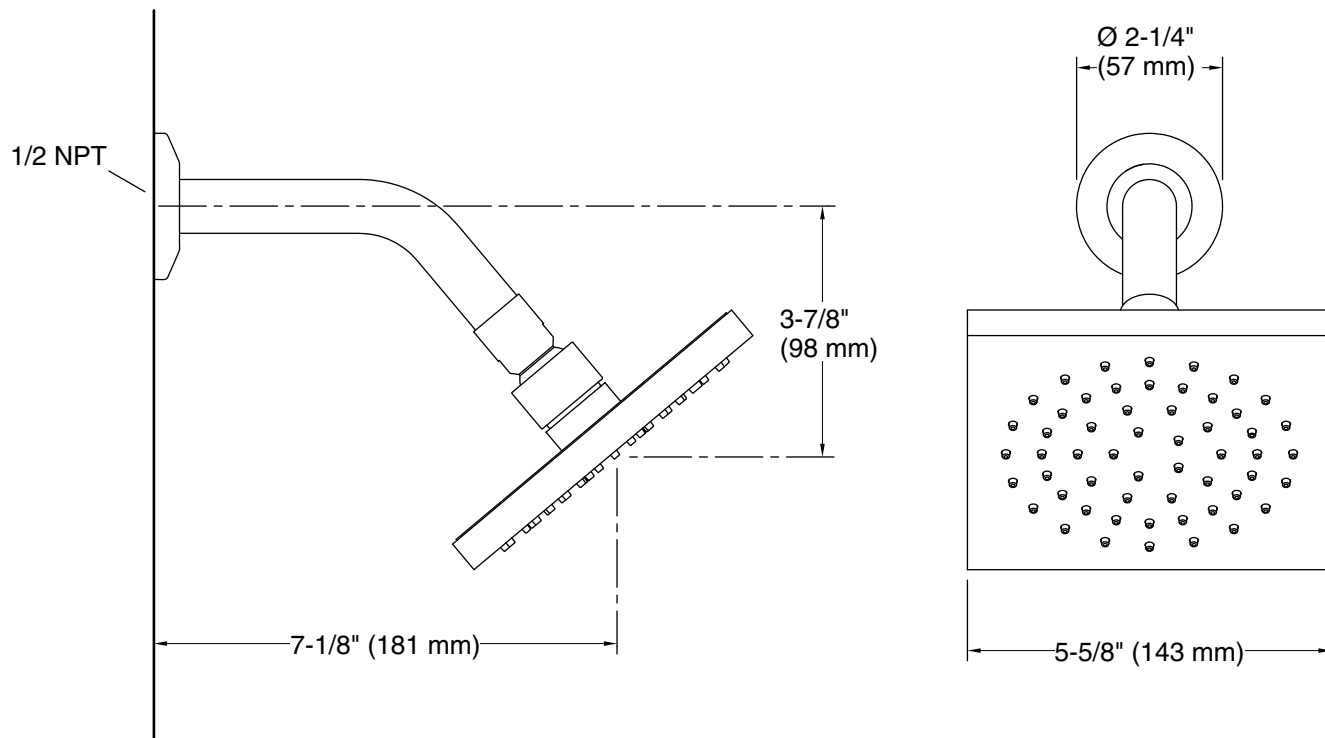
Color	Code	Description
	CP	Polished Chrome
	BL	Matte Black
	BLH	Blush Brass
	PGP	Polished Graphite
	BN	Brushed Nickel
	BGP	Brushed Graphite
	2MB	Brushed Moderne Brass

1-888-4-KALLISTA (1-888-452-5547)

Kallista reserves the right to make revisions without notice to product specifications.

For the most current Specification Sheet, go to www.kallista.com.

3-19-2025 20:56 - US/CA



Technical Information

All product dimensions are nominal.

Shower/Rainhead rated max flow: 1.75 gal/min (6.6 l/min)

Notes

Install this product according to the installation instructions.