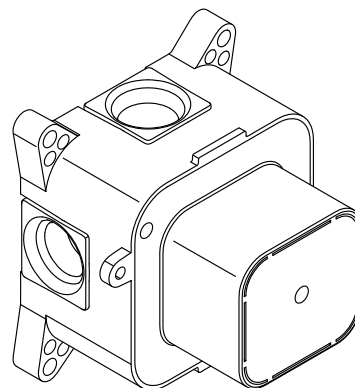


### Features

- Brass valve body
- Single-handle temperature control
- Features a high-temperature-limit stop to help prevent scalding
- 3/4" female NPT inlet connections
- Includes rough-in
- Integral shut-off valve stops
- 12 gpm (45.4 lpm) maximum flow rate at 45 psi (3.1 bar)

### Recommended Products/Accessories

P33491-LV Aileron™ Thermostatic Trim  
P33358-00 Bezel™ Thermostatic Trim

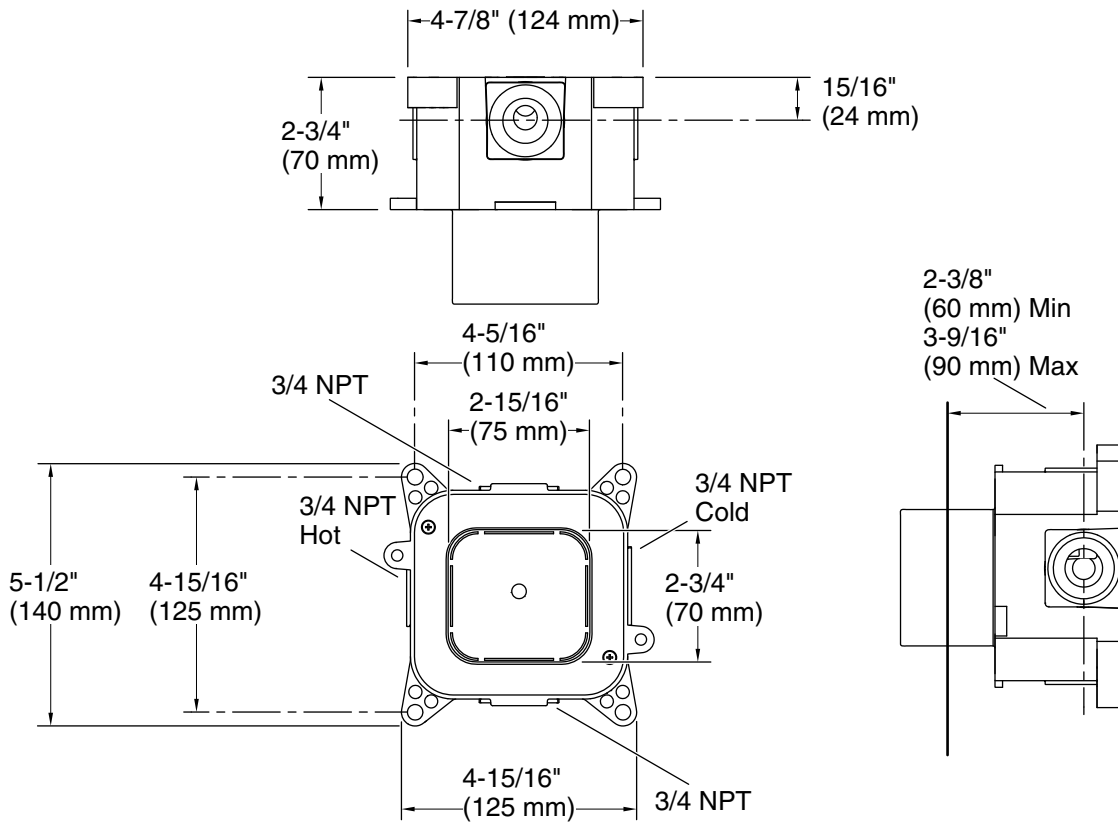


### Codes/Standards

ASME A112.18.1/CSA B125.1  
ASSE 1016/ASME A112.1016/CSA B125.16

### KALLISTA® Five-Year Limited Warranty

See website for detailed warranty  
information.



### Technical Information

All product dimensions are nominal.

Drain included: No

### Shower Valve:

Flow Rate (Max) @ 45 psi 12 gal/min (45.4 l/min)

Manufacturer's minimum rated flow: 1.75 gal/min (6.6 l/min)

Pressure: 45 psi (3.1 bar)

Maximum (Static) Pressure: 125 psi (8.6 bar)

Minimum (Operating) Pressure: 15 psi (1 bar)

### Notes

Install this product according to the installation instructions.

For use with showerheads or handsprays rated at 1.75 gal/min (6.6 l/min) or higher.