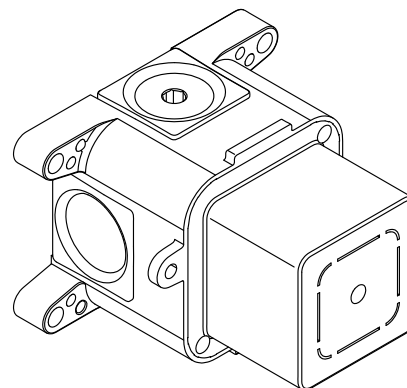


### Features

- Brass valve body
- Single-handle temperature control
- 3/4" female NPT inlet
- Includes rough-in

### Recommended Products/Accessories

- P33489-LV Aileron™ Volume Control Trim
- P33359-00 Bezel™ Volume Control Trim
- P33359-GTM Bezel™ Volume Control Trim, Guatemala Stone Handle
- P33359-NM Bezel™ Volume Control Trim, Nero Marquina Handle
- P33359-WC Bezel™ Volume Control Trim, White Carrara Handle
- P32995-00 Thermostatic Shower Trim Rough In

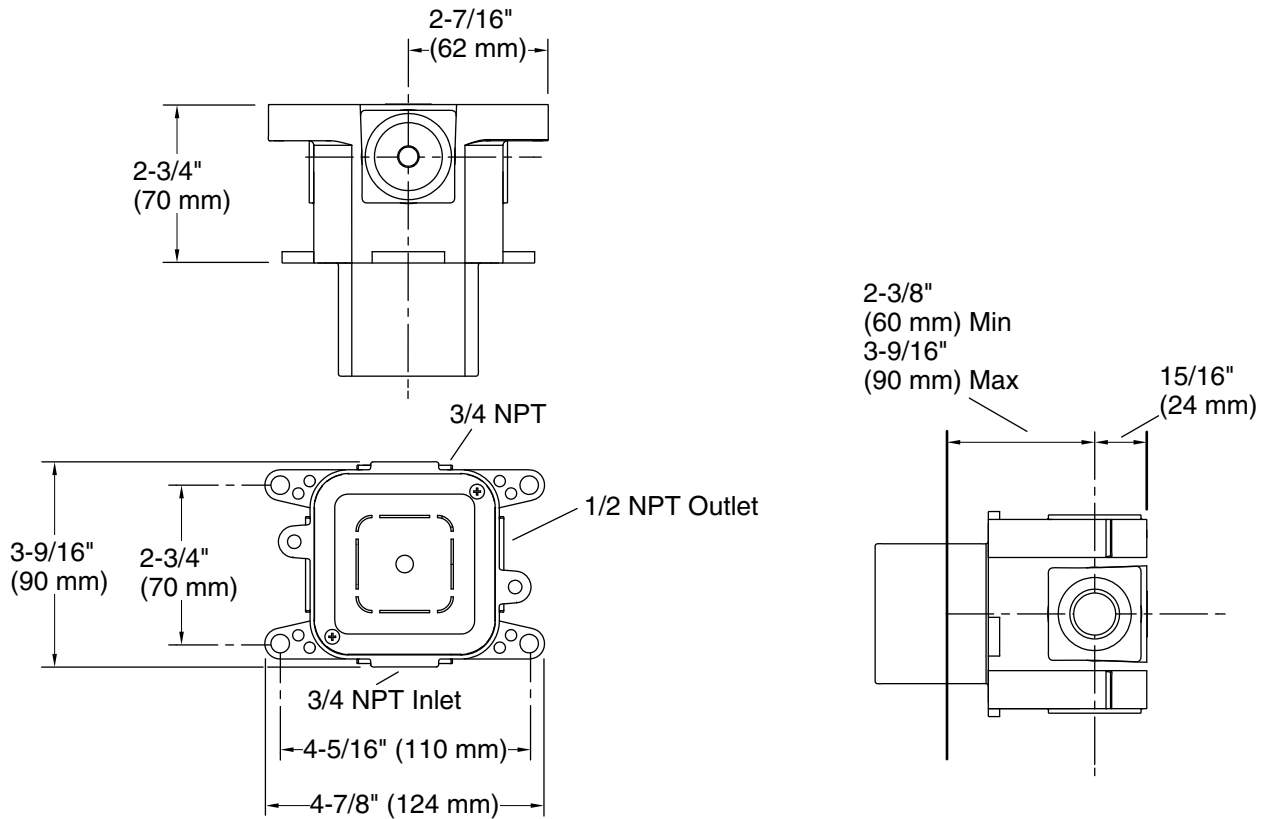


### Codes/Standards

- ASME A112.18.1/CSA B125.1
- ASSE 1016/ASME A112.1016/CSA B125.16

### KALLISTA® Five-Year Limited Warranty

See website for detailed warranty information.



### Technical Information

All product dimensions are nominal.

Drain included: No

### Shower Valve:

|                                    |                          |
|------------------------------------|--------------------------|
| Flow Rate (Max) @ 45 psi           | 6 gal/min (22.7 l/min)   |
| Manufacturer's minimum rated flow: | 1.75 gal/min (6.6 l/min) |
| Pressure:                          | 45 psi (3.1 bar)         |
| Maximum (Static) Pressure:         | 125 psi (8.6 bar)        |
| Minimum (Operating) Pressure:      | 15 psi (1 bar)           |

### Notes

Install this product according to the installation instructions.

For use with showerheads or handsprays rated at 1.75 gal/min (6.6 l/min) or higher.