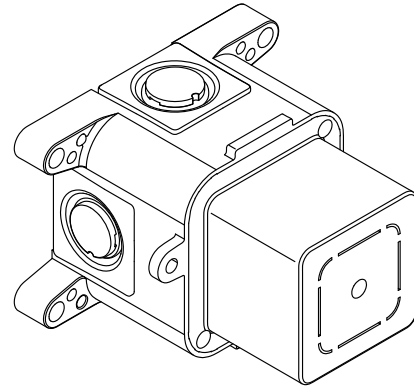


Features

- Brass valve body
- Eco-friendly diverter easily switches water flow from one function to another
- Can be used in 1-, 2-, and 3-outlet configurations
- Single-handle control
- 3/4" female NPT inlet
- Includes rough-in

Recommended Products/Accessories

- P33490-LV Aileron™ Eco Transfer Trim
- P33360-00 Bezel™ Eco Transfer Trim
- P33360-GTM Bezel™ Eco Transfer Trim, Guatemala Stone Handle
- P33360-NM Bezel™ Eco Transfer Trim, Nero Marquina Handle
- P33360-WC Bezel™ Eco Transfer Trim, White Carrara Handle
- P32995-00 Thermostatic Shower Trim Rough In

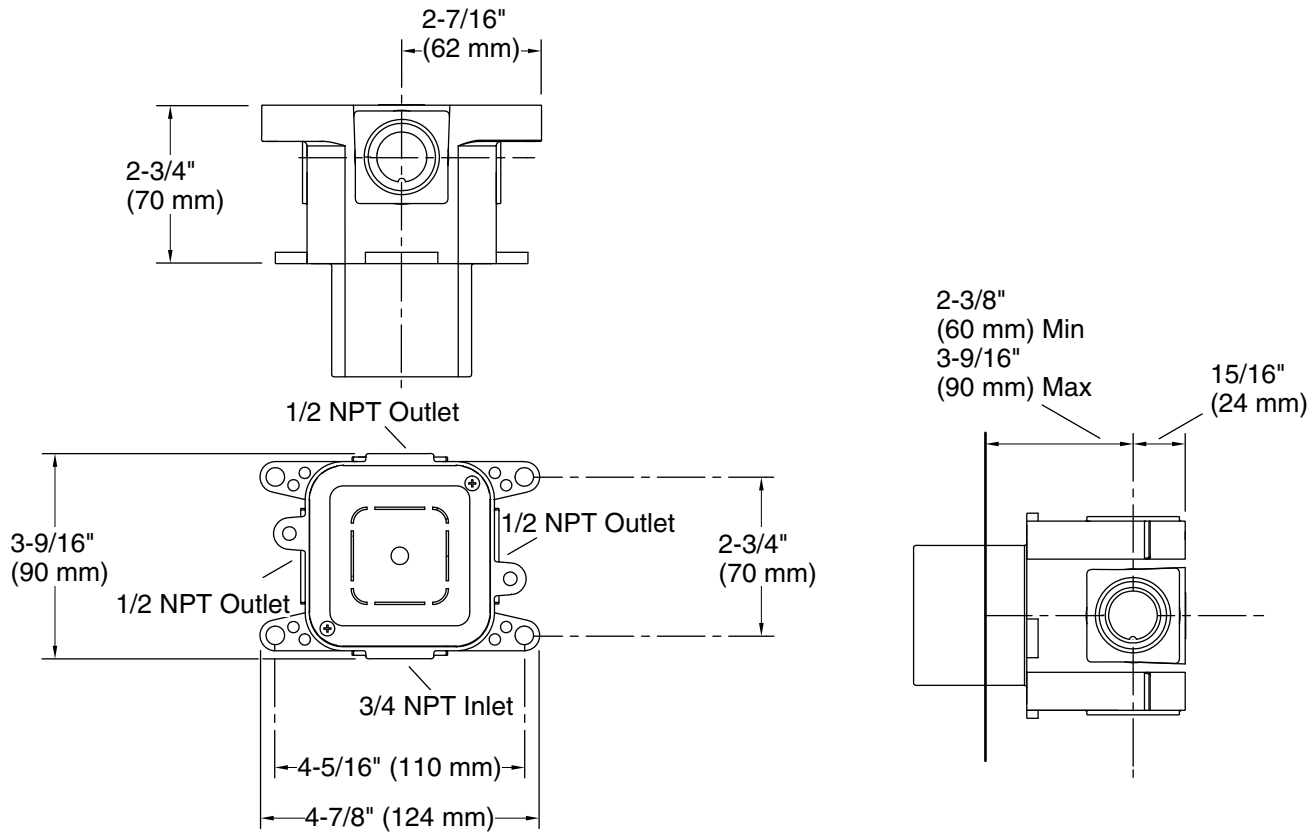


Codes/Standards

- ASME A112.18.1/CSA B125.1
- ASSE 1016/ASME A112.1016/CSA B125.16

KALLISTA® Five-Year Limited Warranty

See website for detailed warranty information.



Technical Information

All product dimensions are nominal.

Shower Valve:

Flow Rate (Max) @ 45 psi	5.5 gal/min (20.8 l/min)
Manufacturer's minimum rated flow:	1.75 gal/min (6.6 l/min)
Pressure:	45 psi (3.1 bar)
Maximum (Static) Pressure:	125 psi (8.6 bar)
Minimum (Operating) Pressure:	15 psi (1 bar)

Notes

Install this product according to the installation instructions.

For use with showerheads or handsprays rated at 1.75 gal/min (6.6 l/min) or higher.