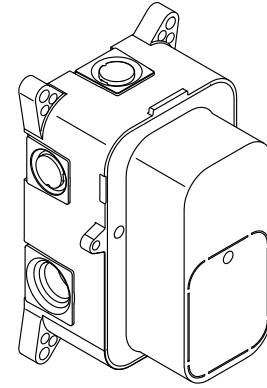


Features

- Brass valve body
- Includes rough-in
- Eco-friendly diverter easily switches water flow from one function to another
- Can be used in 1-, 2-, and 3-outlet configurations
- Features a high-temperature-limit stop to help prevent scalding
- Integral shut-off valve stops
- 3/4" female NPT inlet connections

Recommended Products/Accessories

P33494-00 Aileron™ Stacked 1-Outlet Thermostatic Trim
P33495-00 Aileron™ Stacked 2-Outlet Thermostatic Trim
P33496-00 Aileron™ Stacked 3-Outlet Thermostatic Trim
P33363-00 Bezel™ Stacked 1-Outlet Thermostatic Trim
P33364-00 Bezel™ Stacked 2-Outlet Thermostatic Trim
P33365-00 Bezel™ Stacked 3-Outlet Thermostatic Trim

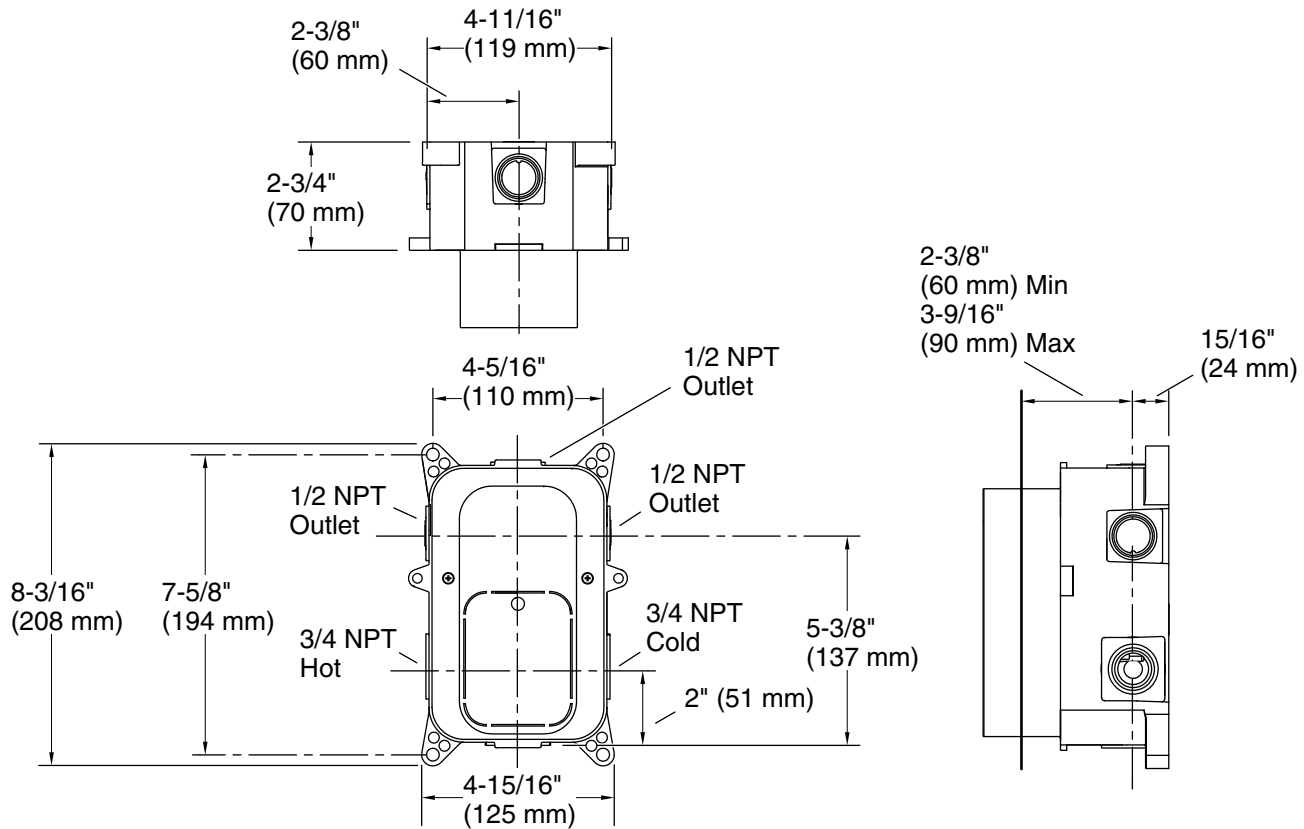


Codes/Standards

ASME A112.18.1/CSA B125.1
ASSE 1016/ASME A112.1016/CSA B125.16

KALLISTA® Five-Year Limited Warranty

See website for detailed warranty
information.



Technical Information

All product dimensions are nominal.

Drain included: No

Shower Valve:

Flow Rate (Max) @ 45 psi 6.3 gal/min (23.8 l/min)

Manufacturer's minimum rated flow: 1.75 gal/min (6.6 l/min)

Pressure: 45 psi (3.1 bar)

Maximum (Static) Pressure: 125 psi (8.6 bar)

Minimum (Operating) Pressure: 15 psi (1 bar)

Notes

Install this product according to the installation instructions.

For use with showerheads or handsprays rated at 1.75 gal/min (6.6 l/min) or higher.