

KALLISTA®

Aileron™ by CRISTINA Rubinetteria Aileron™ Toilet Paper Holder P33006-00

Features

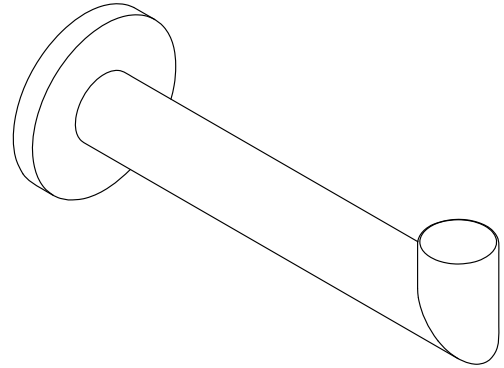
- High-quality solid-brass construction for durability and reliability
- Fits most standard toilet paper rolls

Installation

- Includes mounting hardware

Recommended Products/Accessories

- P33004-00 Aileron™ 24" Towel Bar
- P33003-00 Aileron™ 18" Towel Bar
- P33002-00 Aileron™ 12" Towel Bar
- P33005-00 Aileron™ Robe Hook
- P33349-LV Aileron™ Widespread Sink Faucet



Codes/Standards






None Applicable

KALLISTA® Five-Year Limited Warranty

See website for detailed warranty information.

Available Colors/Finishes

Color tiles intended for reference only.

Color	Code	Description
	CP	Polished Chrome
	BL	Matte Black
	BLH	Blush Brass
	2MB	Brushed Moderne Brass
	BGP	Brushed Graphite
	BN	Brushed Nickel

1-888-4-KALLISTA (1-888-452-5547)

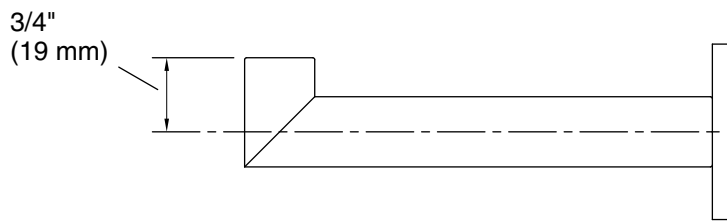
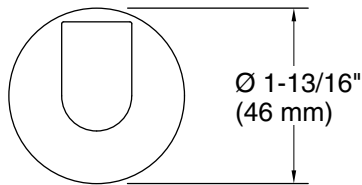
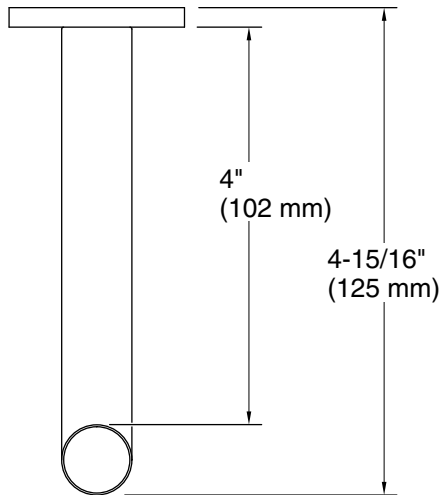
Kallista reserves the right to make revisions without notice to product specifications.

For the most current Specification Sheet, go to www.kallista.com.

3-26-2025 00:00 - US/CA

KALLISTA®

Aileron™ by CRISTINA Rubinetterie
Aileron™ Toilet Paper Holder
P33006-00



Technical Information

All product dimensions are nominal.

Material: Brass

Notes

Install this product according to the installation instructions.