

KALLISTA®

Aileron™ by CRISTINA Rubinetterie Aileron™ Wall Mount Widespread Sink Faucet P33353-LV

Features

- High-quality solid-brass construction for durability and reliability
- Intricate knurling detail
- Lever handle
- Spout reach is 7-1/8" (181 mm)
- 1.2 gpm (4.5 lpm) maximum flow rate
- Includes quiet clicker drain
- Required rough-in sold separately

Required Products/Accessories

For wall-mount installation

P32717-00 Wallmount Widespread Rough In

Recommended Products/Accessories

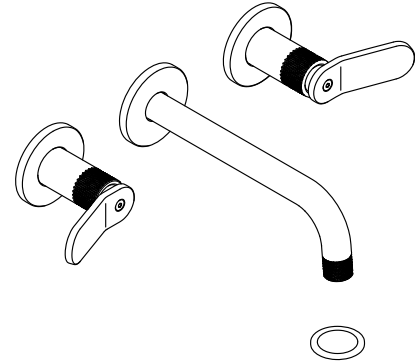
P33004-00 Aileron™ 24" Towel Bar

P33003-00 Aileron™ 18" Towel Bar

P33002-00 Aileron™ 12" Towel Bar

P33005-00 Aileron™ Robe Hook

P33006-00 Aileron™ Toilet Paper Holder



ADA **CSA B651** **OBC**

Codes/Standards

ASME A112.18.1/CSA B125.1

NSF/ANSI/CAN 61

NSF/ANSI/CAN 372

DOE - Energy Policy Act 1992

EPA WaterSense®

California Energy Commission (CEC)

ADA

ICC/ANSI A117.1

CSA B651



OBC

KALLISTA® Five-Year Limited Warranty

See website for detailed warranty
information.

Available Colors/Finishes

Color tiles intended for reference only.

Color	Code	Description
	CP	Polished Chrome
	BL	Matte Black
	BLH	Blush Brass
	BN	Brushed Nickel
	BGP	Brushed Graphite
	2MB	Brushed Moderne Brass

1-888-4-KALLISTA (1-888-452-5547)

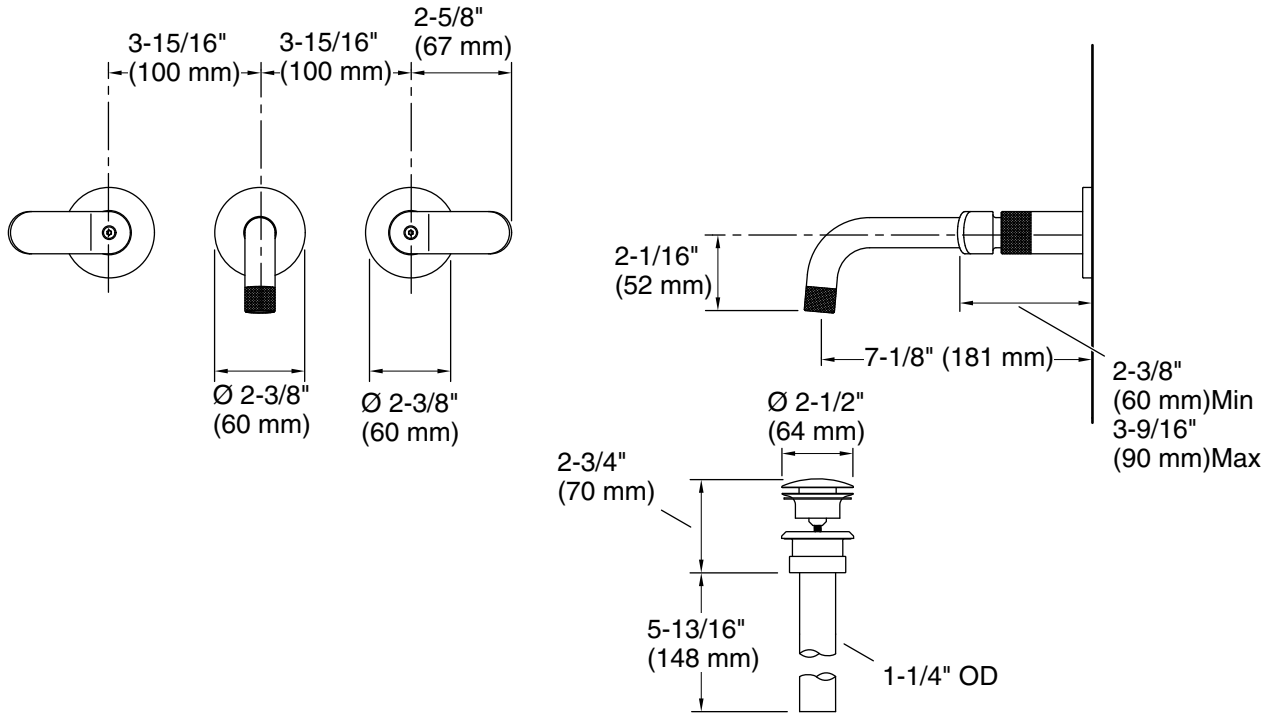
Kallista reserves the right to make revisions without notice to product specifications.

For the most current Specification Sheet, go to www.kallista.com.

2-20-2025 22:33 - US/CA

KALLISTA®

Aileron™ by CRISTINA Rubinetterie Aileron™ Wall Mount Widespread Sink Faucet P33353-LV



Technical Information

All product dimensions are nominal.

Faucet flow rate: 1.2 gal/min (4.5 l/min)

Drain included: Yes

Drain with overflow: Yes

Spout:

Spout reach: $7\text{-}1/8"$ (181 mm)

Notes

Install this product according to the installation instructions.

ADA, OBC, CSA B651 compliant when installed to the specific requirements of these regulations.