

KALLISTA®

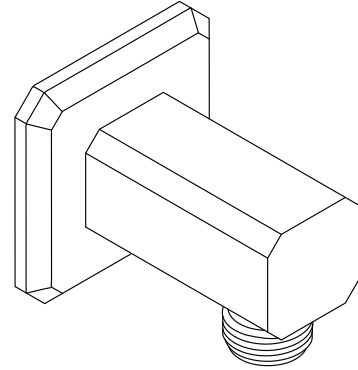
Foundations by KALLISTA Modern Square Wall Supply Elbow P33388-00

Features

- High-quality solid-brass construction for durability and reliability
- 1/2" NPT connection
- Supplies water to handshower (handshower bracket sold separately)

Recommended Products/Accessories

- P32965-00 Modern Square Handshower with Hose
- P33389-00 Modern Square Slidebar



Codes/Standards








ASME A112.18.1/CSA B125.1

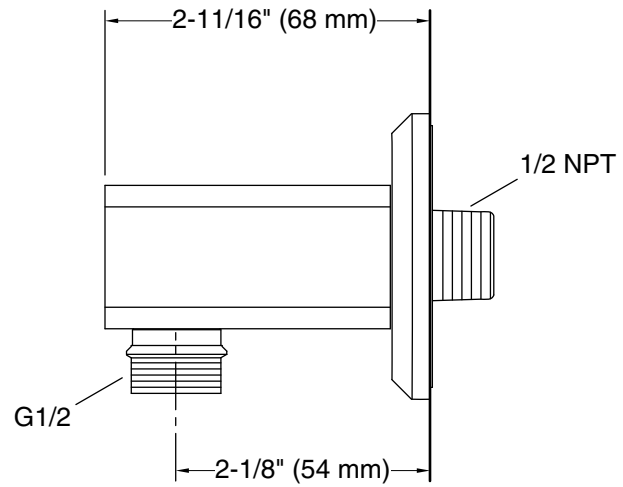
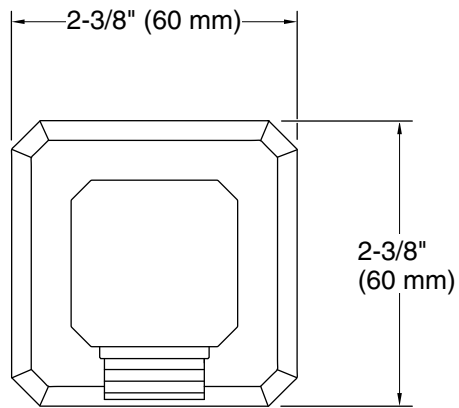
KALLISTA® Five-Year Limited Warranty

See website for detailed warranty information.

Available Colors/Finishes

Color tiles intended for reference only.

| Color | Code | Description |
|---|------|-----------------------|
|  | CP | Polished Chrome |
|  | BL | Matte Black |
|  | BLH | Blush Brass |
|  | PGP | Polished Graphite |
|  | BN | Brushed Nickel |
|  | BGP | Brushed Graphite |
|  | 2MB | Brushed Moderne Brass |



Technical Information
All product dimensions are nominal.

Notes
Install this product according to the installation instructions.