

# KALLISTA®

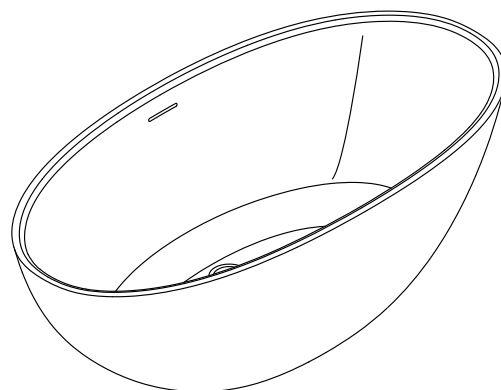
Argile® by Workshop/APD  
Freestanding Bathtub  
P33959-00

## Features

- Constructed of cast mineral
- 72" (1829 mm) total length
- 23-3/4" (603 mm) total height
- 36" (914 mm) total width
- Center side drain
- Integrated drain and overflow
- Honed white is a matte finish with the natural appeal of honed stone
- Matte surface finish on the internal and external surfaces of the bath

## Recommended Products/Accessories

P24418-00 Freestanding Bath Faucet, Less Handshower  
P24761-00 Handshower with Hose





Codes/Standards  
CSA B45.5/IAPMO Z124

## KALLISTA® Five-Year Limited Warranty

See website for detailed warranty information.

## Available Colors/Finishes

*Color tiles intended for reference only.*

Color	Code	Description
	HB1	Honed Black
	HW1	Honed White

---

1-888-4-KALLISTA (1-888-452-5547)

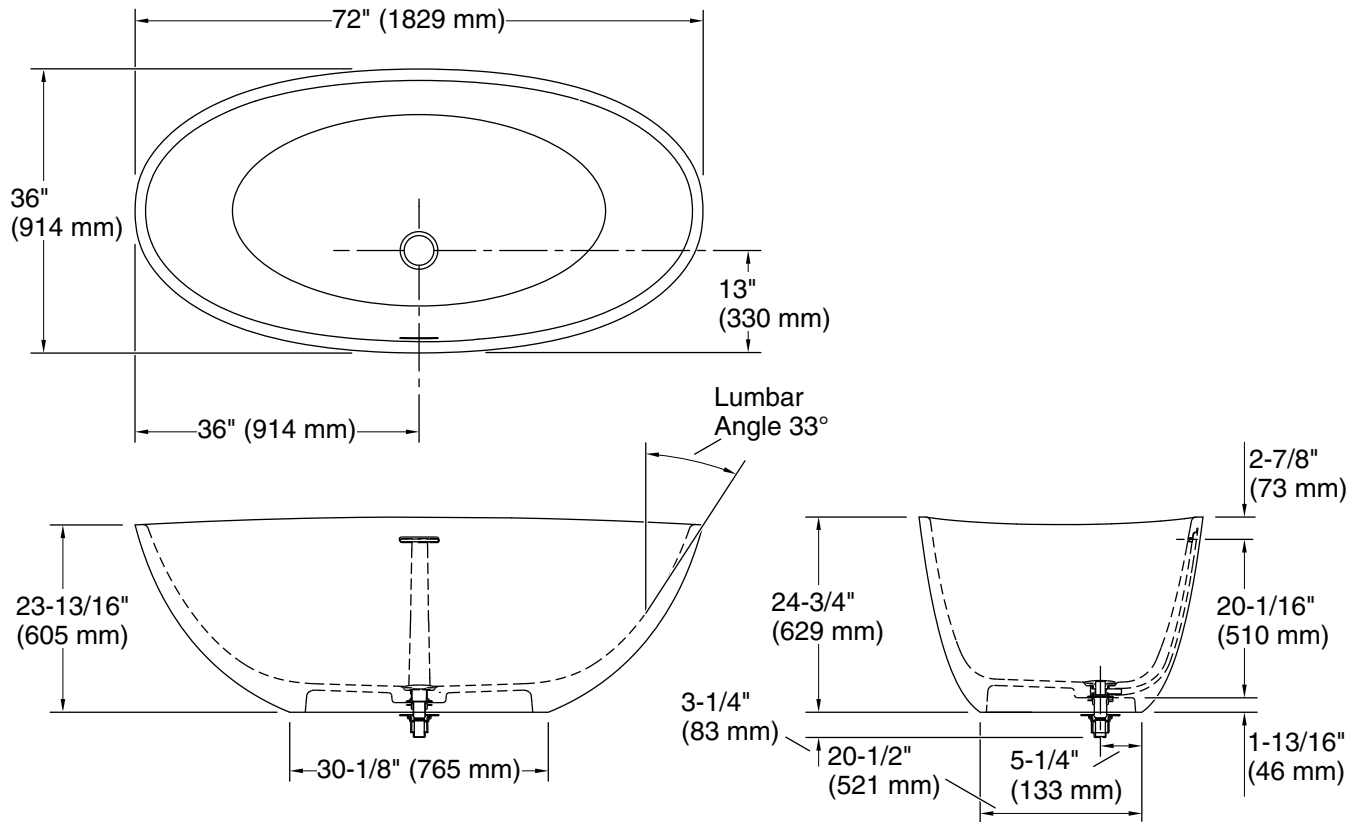
Kallista reserves the right to make revisions without notice to product specifications.

For the most current Specification Sheet, go to [www.kallista.com](http://www.kallista.com).

2-20-2025 22:34 - US

# KALLISTA®

Argile® by Workshop/APD  
Freestanding Bathtub  
P33959-00



## Technical Information

All product dimensions are nominal.

Drain location:	Center
Basin area, bottom:	47-5/16" x 24-1/4" (1202 mm x 616 mm)
Basin area, top:	69-3/8" x 33-1/16" (1761 mm x 840 mm)
Weight:	456.36 lbs (207 kg)
Water depth:	17-7/8" (454 mm)
Water capacity:	100 gal (378.5 L)

## Notes

Measure your actual product for rough-in details.

Install this product according to the installation instructions.

The hot water supply should be 70% of the capacity of the bath or greater. Installations will vary.