

KALLISTA®

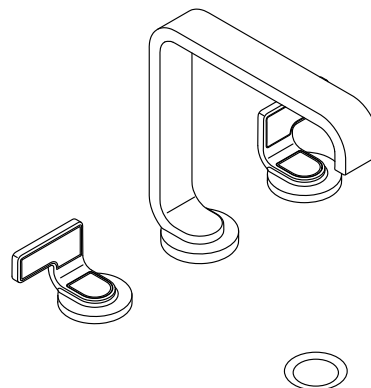
Guise™ by KALLISTA Widespread Sink Faucet, Standard Spout, Light Dusty Wave Lever Handles P34231-LDW

Features

- High-quality metal construction for durability and reliability
- Widespread sink faucet for 8" – 16" (203 – 406 mm) centers
- 1.2 gpm (4.5 lpm) maximum flow rate
- Includes soft-touch drain
- Laminar flow

Recommended Products/Accessories

- P34238-LV Freestanding Bath Faucet, Less Handshower
- P34242-LV Thermostatic trim, lever handle
- P34243-LV Transfer trim, lever handle
- P34244-LV Volume control trim, lever handle
- P34246-00 Towel Bar, 24"



ADA **CSA B651** **OBC**

Codes/Standards

ASME A112.18.1/CSA B125.1
NSF/ANSI/CAN 61
NSF/ANSI/CAN 372
DOE - Energy Policy Act 1992
EPA WaterSense®
California Energy Commission (CEC)
ADA
ICC/ANSI A117.1
CSA B651
OBC

KALLISTA® Five-Year Limited Warranty

See website for detailed warranty
information.

Available Colors/Finishes

Color tiles intended for reference only.

| Color | Code | Description |
|---|------|---------------------|
|  | CP | Polished Chrome |
|  | PGP | Polished Graphite |
|  | SN | Polished Nickel |
|  | BAF | Brushed French Gold |
|  | BN | Brushed Nickel |

1-888-4-KALLISTA (1-888-452-5547)

Kallista reserves the right to make revisions without notice to product specifications.

For the most current Specification Sheet, go to www.kallista.com.

2-16-2025 20:21 - US

