

# KALLISTA®

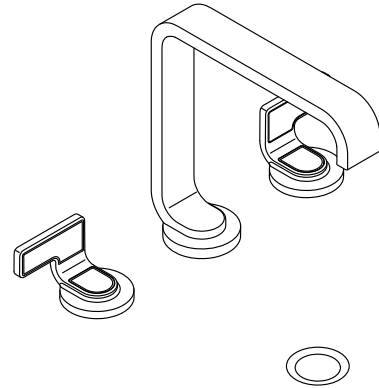
## Guise™ by KALLISTA Widespread Sink Faucet, Standard Spout, Transparent White Wave Lever Handles P34231-TWW

### Features

- High-quality metal construction for durability and reliability
- Widespread sink faucet for 8" – 16" (203 – 406 mm) centers
- 1.2 gpm (4.5 lpm) maximum flow rate
- Includes soft-touch drain
- Laminar flow

### Recommended Products/Accessories

- P34238-LV Freestanding Bath Faucet, Less Handshower
- P34242-LV Thermostatic trim, lever handle
- P34243-LV Transfer trim, lever handle
- P34244-LV Volume control trim, lever handle
- P34246-00 Towel Bar, 24"



### Codes/Standards

ASME A112.18.1/CSA B125.1  
NSF/ANSI/CAN 61  
NSF/ANSI/CAN 372  
DOE - Energy Policy Act 1992  
EPA WaterSense®  
California Energy Commission (CEC)  
ADA  
ICC/ANSI A117.1  
CSA B651  
OBC

### KALLISTA® Five-Year Limited Warranty

See website for detailed warranty  
information.

### Available Colors/Finishes

*Color tiles intended for reference only.*

| Color   | Code | Description         |
|---|------|---------------------|
|  | CP   | Polished Chrome     |
|  | BAF  | Brushed French Gold |
|  | SN   | Polished Nickel     |
|  | BN   | Brushed Nickel      |
|  | PGP  | Polished Graphite   |

1-888-4-KALLISTA (1-888-452-5547)

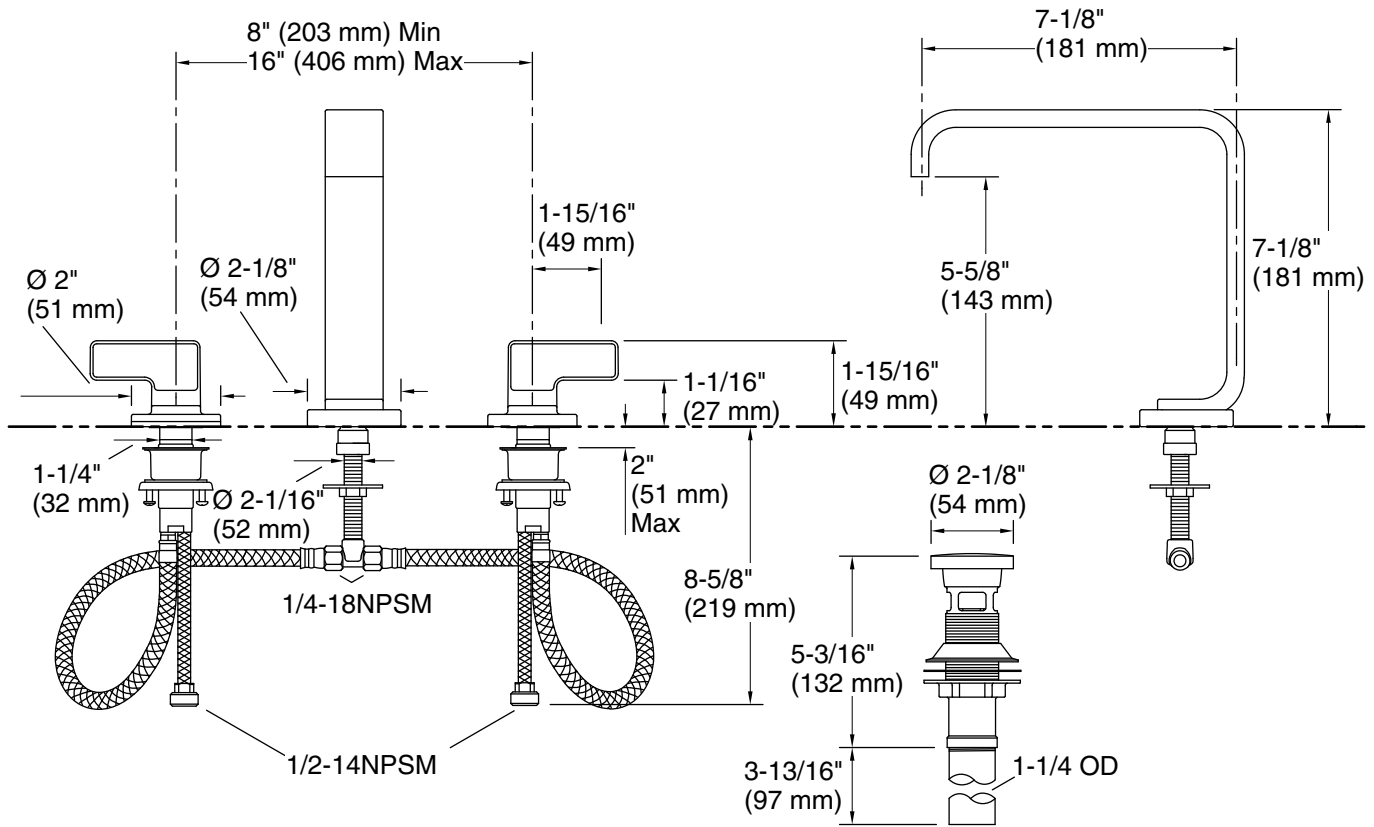
Kallista reserves the right to make revisions without notice to product specifications.

For the most current Specification Sheet, go to [www.kallista.com](http://www.kallista.com).

2-16-2025 20:21 - US

# KALLISTA

Guise™ by KALLISTA  
 Widespread Sink Faucet, Standard Spout,  
 Transparent White Wave Lever Handles  
 P34231-TWW



## Technical Information

All product dimensions are nominal.

Faucet flow rate: 1.2 gal/min (4.5 l/min)

Drain included: Yes

Drain with overflow: Yes

Spout:

Spout reach: 7-1/8" (181 mm)

## Notes

Install this product according to the installation instructions.

ADA, OBC, CSA B651 compliant when installed to the specific requirements of these regulations.