

KALLISTA®

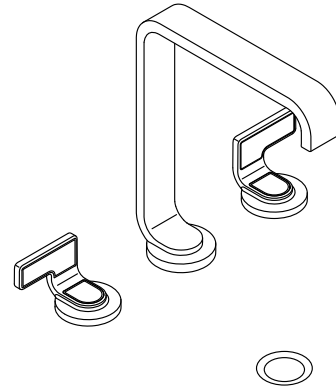
Guise™ by KALLISTA Widespread Sink Faucet, Tall Spout, Steel Grey Wave Lever Handles P34232-SGW

Features

- High-quality metal construction for durability and reliability
- Widespread sink faucet for 8" – 16" (203 – 406 mm) centers
- 1.2 gpm (4.5 lpm) maximum flow rate
- Includes soft-touch drain
- Laminar flow

Recommended Products/Accessories

- P34238-LV Freestanding Bath Faucet, Less Handshower
- P34242-LV Thermostatic trim, lever handle
- P34243-LV Transfer trim, lever handle
- P34244-LV Volume control trim, lever handle
- P34246-00 Towel Bar, 24"



ADA **CSA B651** **OBC**

Codes/Standards


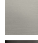

ASME A112.18.1/CSA B125.1
NSF/ANSI/CAN 61
NSF/ANSI/CAN 372
DOE - Energy Policy Act 1992
EPA WaterSense®
California Energy Commission (CEC)
ADA
ICC/ANSI A117.1
CSA B651
OBC

KALLISTA® Five-Year Limited Warranty

See website for detailed warranty
information.

Available Colors/Finishes

Color tiles intended for reference only.

Color	Code	Description
	CP	Polished Chrome
	SN	Polished Nickel
	BAF	Brushed French Gold
	BN	Brushed Nickel
	PGP	Polished Graphite

1-888-4-KALLISTA (1-888-452-5547)

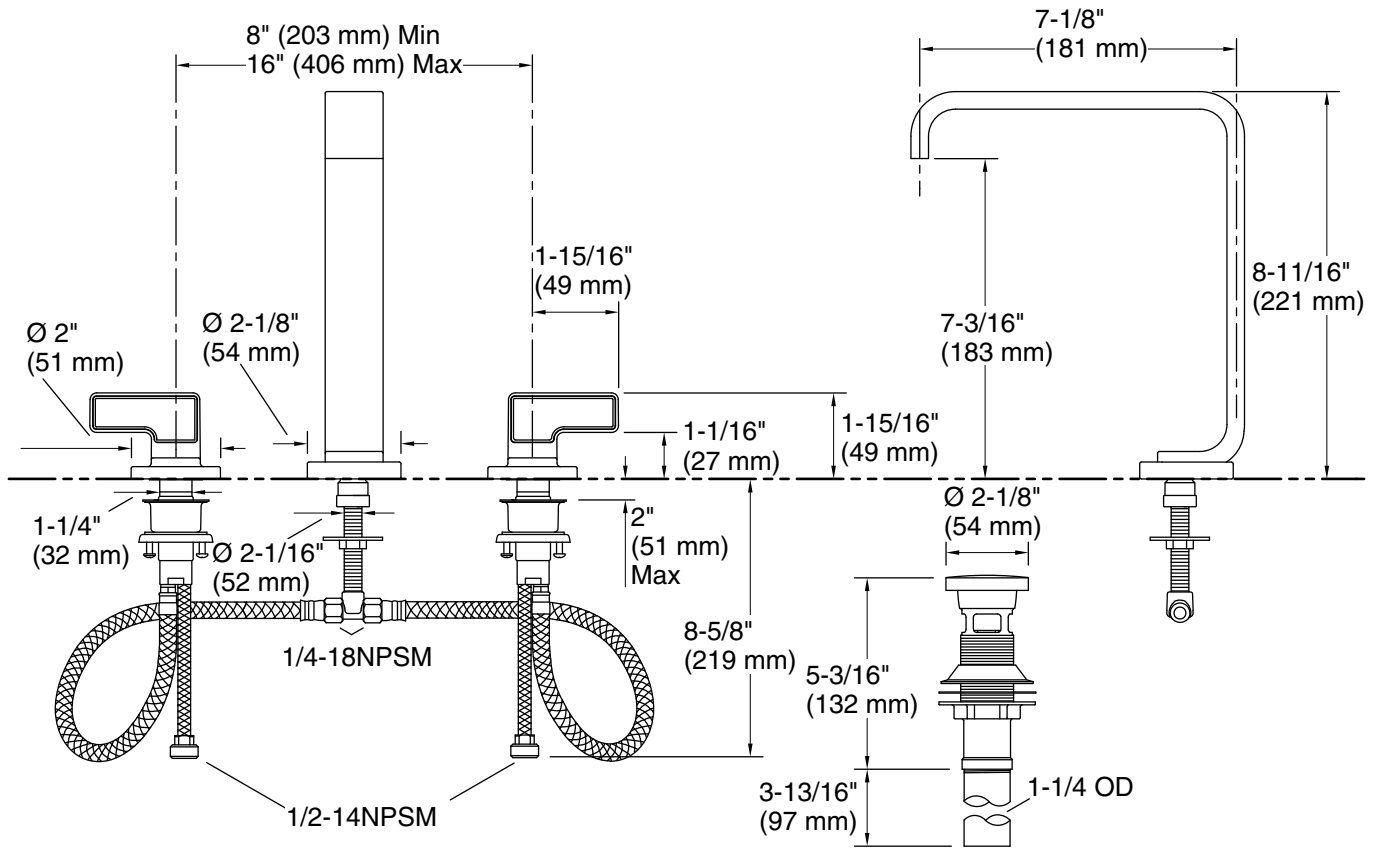
Kallista reserves the right to make revisions without notice to product specifications.

For the most current Specification Sheet, go to www.kallista.com.

2-16-2025 20:22 - US

KALLISTA

Guise™ by KALLISTA
 Widespread Sink Faucet, Tall Spout, Steel Grey
 Wave Lever Handles
 P34232-SGW



Technical Information

All product dimensions are nominal.

Faucet flow rate: 1.2 gal/min (4.5 l/min)

Drain included: Yes

Drain with overflow: Yes

Spout:

Spout reach: 7-1/8" (181 mm)

Notes

Install this product according to the installation instructions.

ADA, OBC, CSA B651 compliant when installed to the specific requirements of these regulations.