

KALLISTA®

Guise™ by KALLISTA Single Control trim, lever handle P34241-LV

Features

- High-quality metal construction for durability and reliability
- Maintains water temperature within +/-3 degrees Fahrenheit
- Features a high-temperature-limit stop to help prevent scalding
- Required rough-in sold separately

Required Products/Accessories

P29500-WS Thermostatic rough-in with volume control & stops

or

P19310-00 Pressure Balance Rough-In

or

P19310-WS Pressure Balance Rough-In Valve With Stops

or

P29306-WS High Flow Pressure Balance Rough-In Assembly

Recommended Products/Accessories

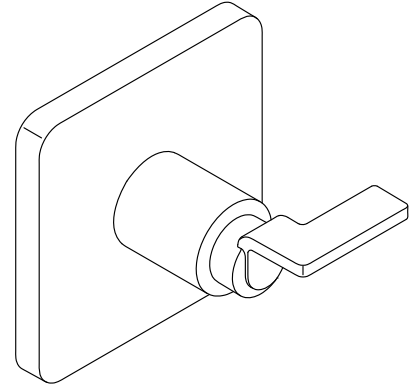
P34238-LV Freestanding Bath Faucet, Less Handshower

P34242-LV Thermostatic trim, lever handle

P34243-LV Transfer trim, lever handle

P34244-LV Volume control trim, lever handle

P34246-00 Towel Bar, 24"



ADA

CSA B651

OBC

Codes/Standards

ASME A112.18.1/CSA B125.1

ADA

ICC/ANSI A117.1

CSA B651

OBC

KALLISTA® Five-Year Limited Warranty

See website for detailed warranty information.

Available Colors/Finishes

Color tiles intended for reference only.

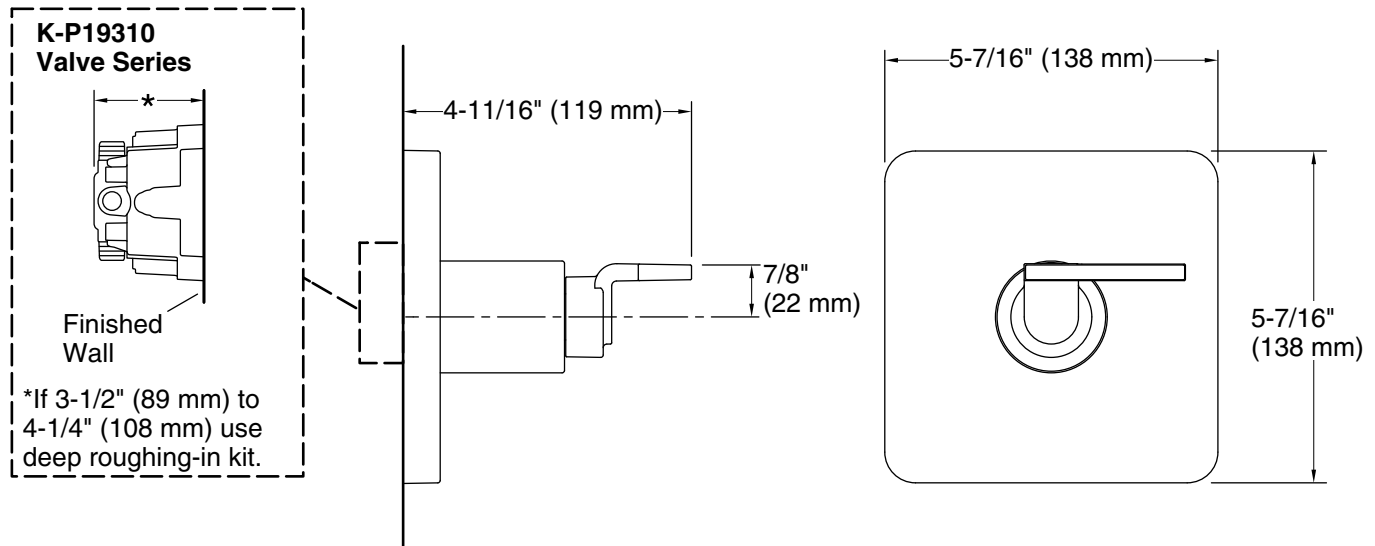
Color	Code	Description
	CP	Polished Chrome
	SN	Polished Nickel
	BN	Brushed Nickel
	BAF	Brushed French Gold
	PGP	Polished Graphite

1-888-4-KALLISTA (1-888-452-5547)

Kallista reserves the right to make revisions without notice to product specifications.

For the most current Specification Sheet, go to www.kallista.com.

2-16-2025 20:25 - US



Technical Information

All product dimensions are nominal.

Drain included: No

Notes

Install this product according to the installation instructions.

ADA, OBC, CSA B651 compliant when installed to the specific requirements of these regulations.