

# KALLISTA®

## Guise™ by KALLISTA Transfer trim, lever handle P34243-LV

### Features

- High-quality metal construction for durability and reliability
- Allows for directed water flow
- Required rough-in sold separately

### Required Products/Accessories

P29513-00 Transfer Valve

or

P29514-00 Transfer Valve, Eco

### Recommended Products/Accessories

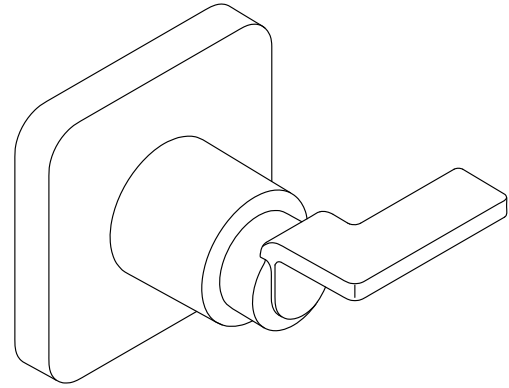
P34238-LV Freestanding Bath Faucet, Less Handshower

P34231-LV Sink Faucet, Lever Handles

P34242-LV Thermostatic trim, lever handle

P34244-LV Volume control trim, lever handle

P34246-00 Towel Bar, 24"



**ADA** **CSA B651** **OBC**

### Codes/Standards

ASME A112.18.1/CSA B125.1

ADA

ICC/ANSI A117.1

CSA B651

OBC

### KALLISTA® Five-Year Limited Warranty

See website for detailed warranty  
information.

### Available Colors/Finishes

*Color tiles intended for reference only.*

Color	Code	Description
	CP	Polished Chrome
	BN	Brushed Nickel
	SN	Polished Nickel
	BAF	Brushed French Gold
	PGP	Polished Graphite

---

1-888-4-KALLISTA (1-888-452-5547)

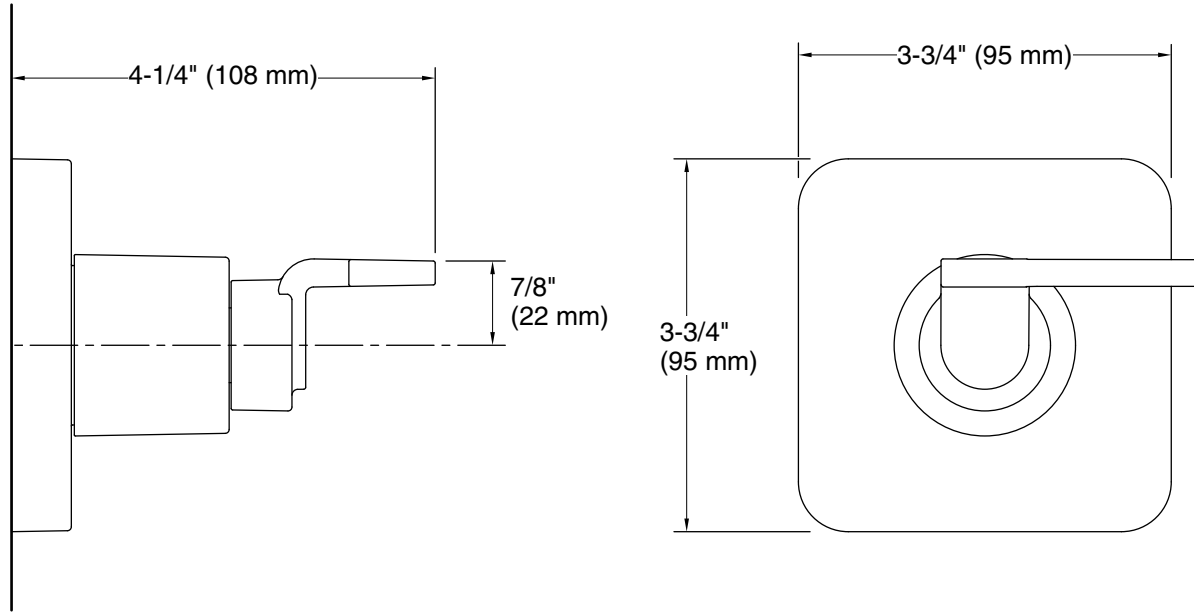
Kallista reserves the right to make revisions without notice to product specifications.

For the most current Specification Sheet, go to [www.kallista.com](http://www.kallista.com).

2-16-2025 20:25 - US

# KALLISTA®

Guise™ by KALLISTA  
Transfer trim, lever handle  
P34243-LV



## Technical Information

All product dimensions are nominal.

Drain included: No

## Notes

Install this product according to the installation instructions.

ADA, OBC, CSA B651 compliant when installed to the specific requirements of these regulations.