

Features

- High-quality solid metal construction for durability and reliability

Installation

- Includes hex wrench for installation

Recommended Products/Accessories

- P34231-LV Sink Faucet, Lever Handles
- P34241-LV Single Control trim, lever handle
- P34238-LV Freestanding Bath Faucet, Less Handshower
- P34249-00 Toilet Paper Holder



Codes/Standards

None Applicable

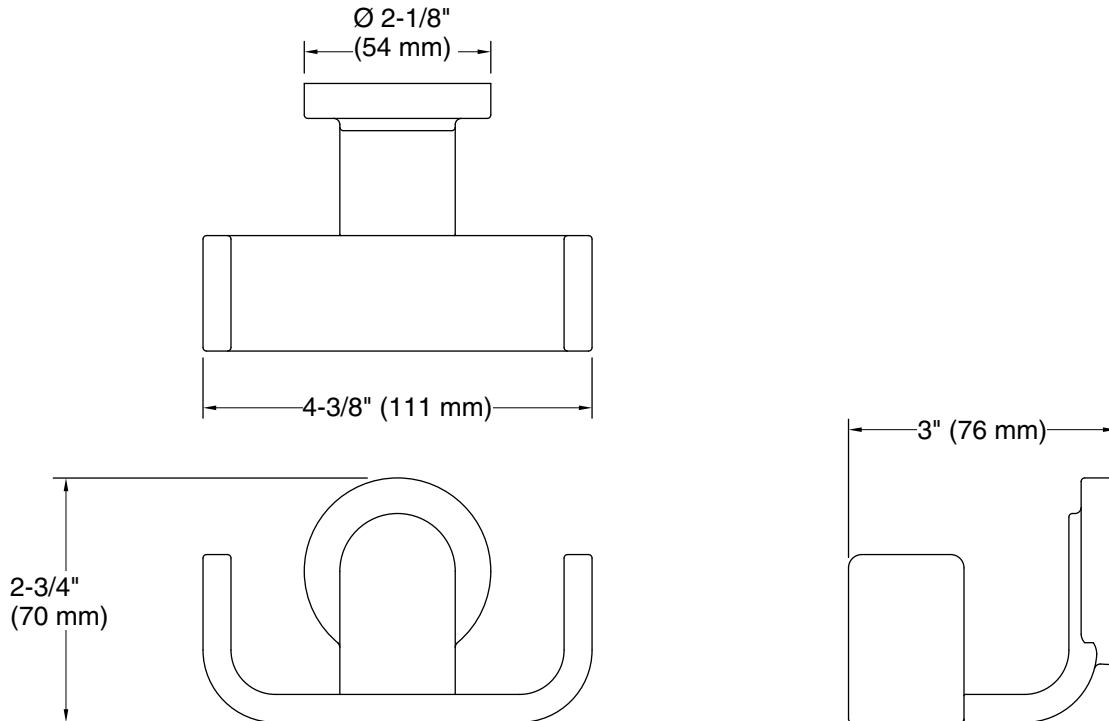
KALLISTA® Five-Year Limited Warranty

See website for detailed warranty information.

Available Colors/Finishes

Color tiles intended for reference only.

Color	Code	Description
	CP	Polished Chrome
	PGP	Polished Graphite
	SN	Polished Nickel
	BN	Brushed Nickel
	BAF	Brushed French Gold



Technical Information

All product dimensions are nominal.

Material: Zinc

Notes

Install this product according to the installation instructions.