

KALLISTA®

Vice™ by KALLISTA Deck-mount Diverter, Lever Handle P34580-BAF

Features

- Enables water diversion from bath faucet to handshower
- Required rough-in sold separately

Required Products/Accessories

For deck-mount installation
P20995-00 Deck-Mount Diverter Valve

Recommended Products/Accessories

P34590-CP Thermostatic trim, lever handle
P34591-CP Transfer trim, lever handle
P34592-CP Volume control trim, lever handle
P34596-CP Towel Ring
P34594-CP Towel Bar, 18"



ADA **CSA B651** **OBC**

Codes/Standards

ASME A112.18.1/CSA B125.1
ADA
ICC/ANSI A117.1
CSA B651
OBC

KALLISTA® Five-Year Limited Warranty

See website for detailed warranty
information.

Available Colors/Finishes

Color tiles intended for reference only.

Color Code Description

 AF French Gold

1-888-4-KALLISTA (1-888-452-5547)

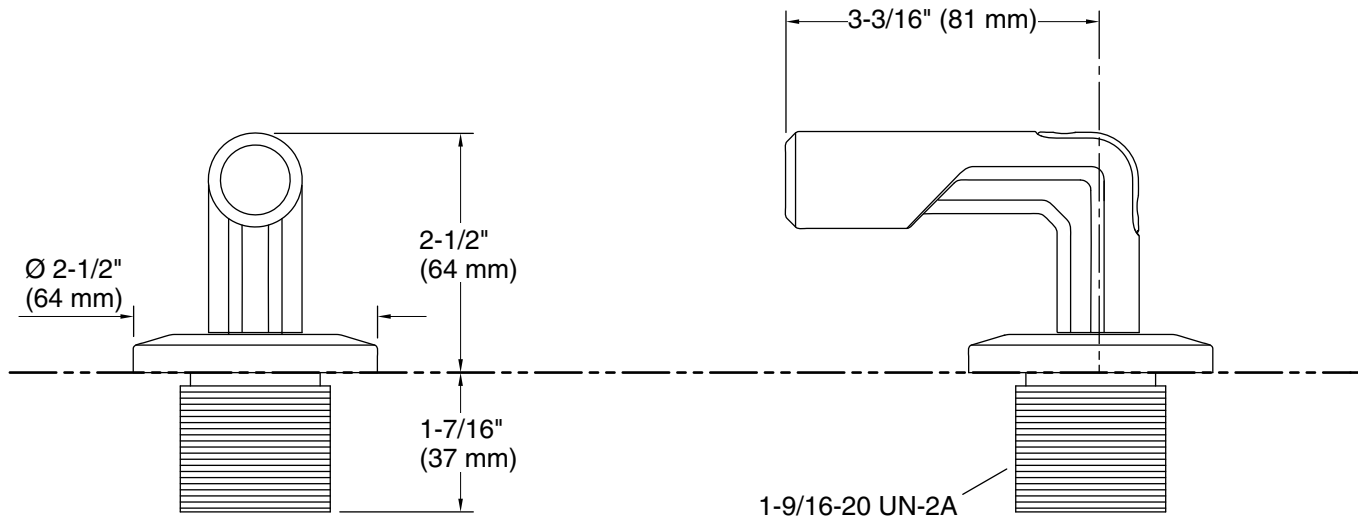
Kallista reserves the right to make revisions without notice to product specifications.

For the most current Specification Sheet, go to www.kallista.com.

1-14-2026 09:00 - US/CA

KALLISTA

Vice™ by KALLISTA
Deck-mount Diverter, Lever Handle
P34580-BAF



Technical Information

All product dimensions are nominal.

Notes

Install this product according to the installation instructions.

ADA, OBC, CSA B651 compliant when installed to the specific requirements of these regulations.