

KALLISTA®

Vice™ by KALLISTA Wall Mount Widespread Sink Faucet, Lever Handles P34584-BAF

Features

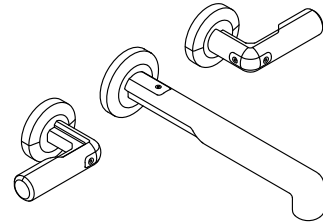
- High-quality metal construction for durability and reliability
- Widespread sink faucet for 8" (203 mm) centers
- 1.2 gpm (4.5 lpm) maximum flow rate
- Includes soft-touch drain
- Laminar flow
- Required rough-in sold separately

Required Products/Accessories

For wall-mount installation
P29304-00 Rough-In

Recommended Products/Accessories

P34595-CP Towel Bar, 24"
P34586-CP Freestanding Bath Faucet, Less Handshower
P34596-CP Towel Ring



ADA **CSA B651** **OBC**

Codes/Standards


ASME A112.18.1/CSA B125.1
NSF/ANSI/CAN 61
NSF/ANSI/CAN 372
DOE - Energy Policy Act 1992
EPA WaterSense®
California Energy Commission (CEC)
ADA
ICC/ANSI A117.1
CSA B651
OBC

KALLISTA® Five-Year Limited Warranty

See website for detailed warranty
information.

Available Colors/Finishes

Color tiles intended for reference only.

Color	Code	Description
	AF	French Gold

1-888-4-KALLISTA (1-888-452-5547)

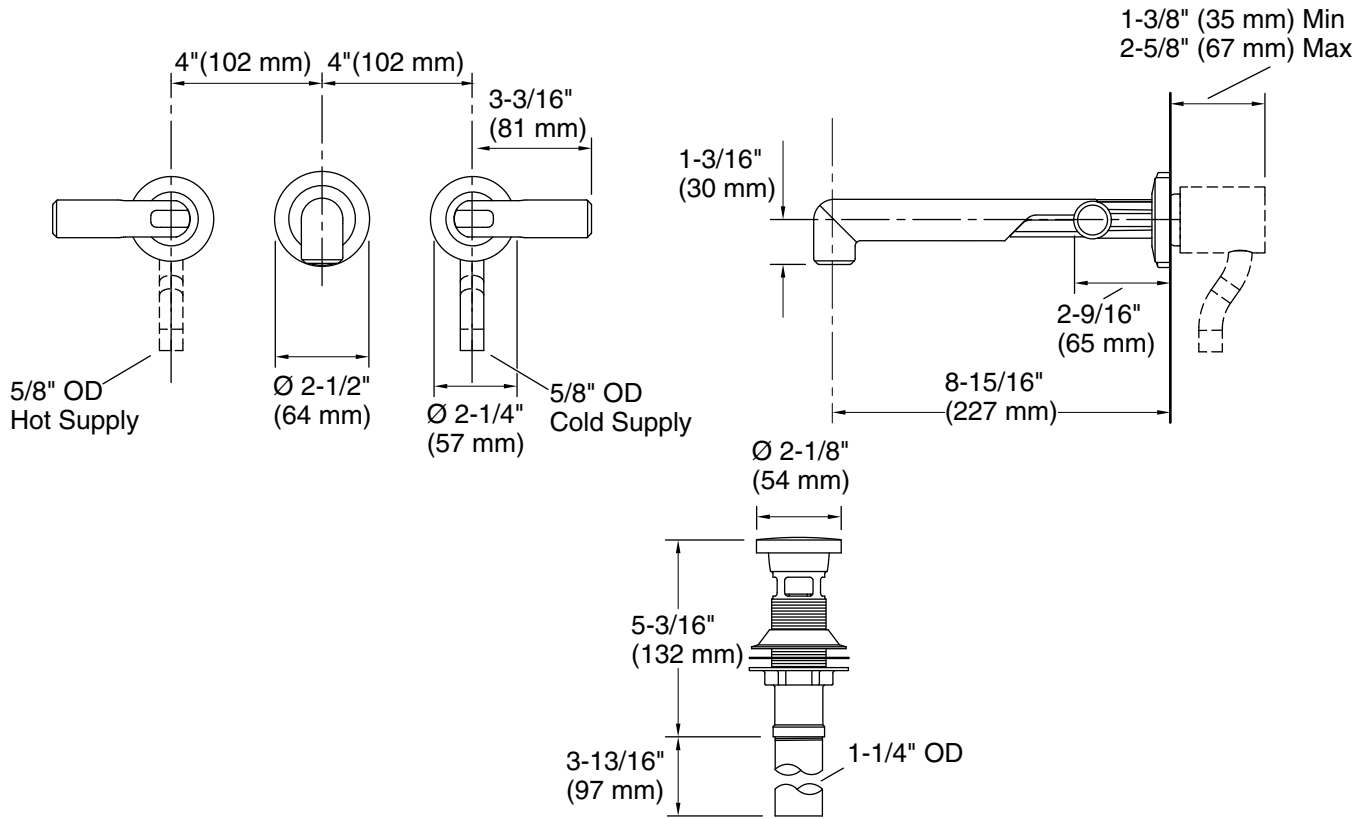
Kallista reserves the right to make revisions without notice to product specifications.

For the most current Specification Sheet, go to www.kallista.com.

1-5-2026 08:00 - US/CA

KALLISTA

Vice™ by KALLISTA Wall Mount Widespread Sink Faucet, Lever Handles P34584-BAF



Technical Information

All product dimensions are nominal.

Faucet flow rate: 1.2 gal/min (4.5 l/min)

Drain included: Yes

Drain with overflow: Yes

Drain tailpiece included: Yes

Spout:

Spout reach: 8-15/16" (227 mm)

Notes

Install this product according to the installation instructions.

ADA, OBC, CSA B651 compliant when installed to the specific requirements of these regulations.