

KALLISTA®

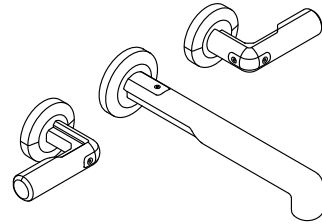
Vice™ by KALLISTA Wall Mount Widespread Sink Faucet, Lever Handles P34584-CP

Features

- High-quality metal construction for durability and reliability
- Widespread sink faucet for 8" (203 mm) centers
- 1.2 gpm (4.5 lpm) maximum flow rate
- Includes soft-touch drain
- Laminar flow
- Required rough-in sold separately

Recommended Products/Accessories

- P34595-CP Towel Bar, 24"
- P34586-CP Freestanding Bath Faucet, Less Handshower
- P34596-CP Towel Ring



Codes/Standards


ASME A112.18.1/CSA B125.1
NSF/ANSI/CAN 61
NSF/ANSI/CAN 372
DOE - Energy Policy Act 1992
EPA WaterSense®
California Energy Commission (CEC)
ADA
ICC/ANSI A117.1
CSA B651
OBC

KALLISTA® Five-Year Limited Warranty

See website for detailed warranty
information.

Available Colors/Finishes

Color tiles intended for reference only.

Color	Code	Description
	CP	Polished Chrome

1-888-4-KALLISTA (1-888-452-5547)

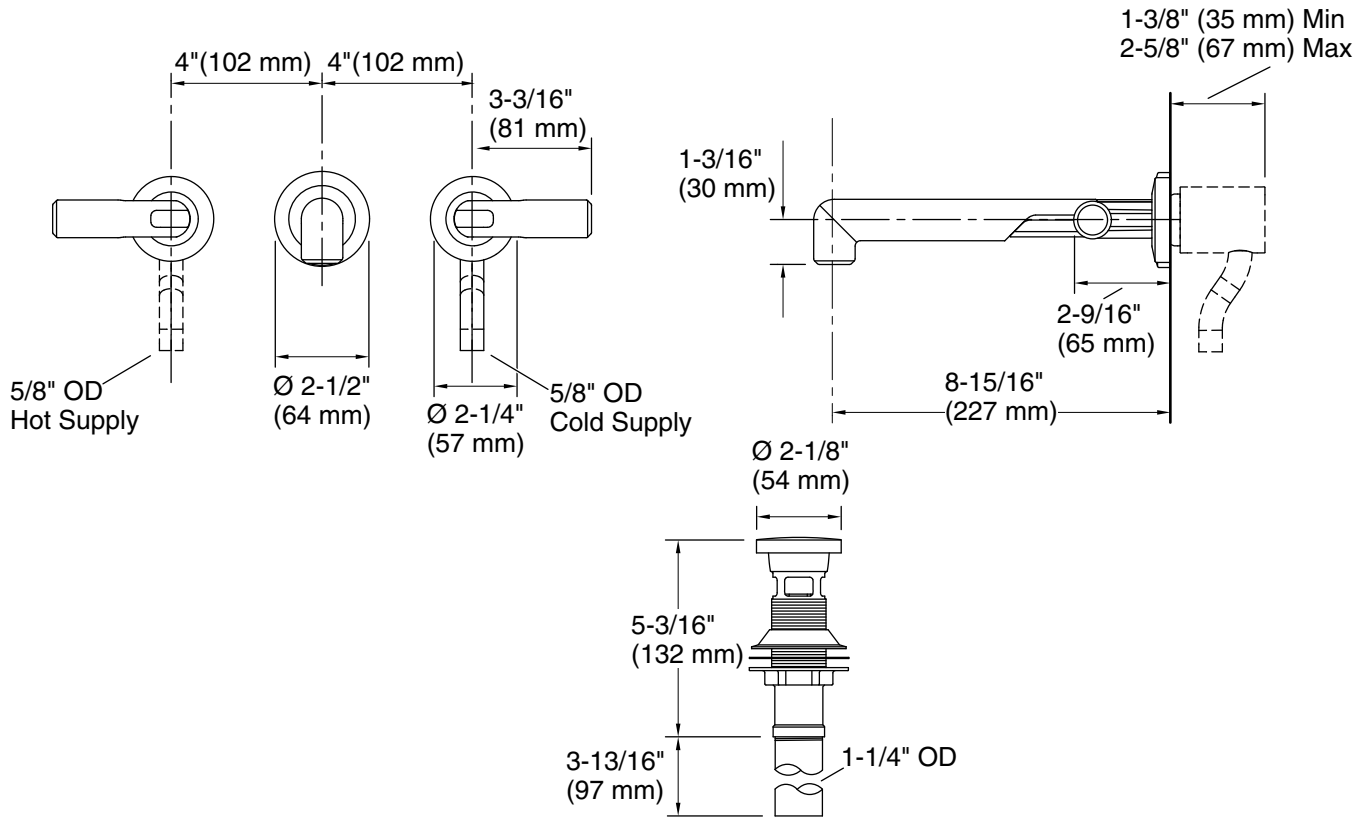
Kallista reserves the right to make revisions without notice to product specifications.

For the most current Specification Sheet, go to www.kallista.com.

2-16-2026 20:21 - US/CA

KALLISTA

Vice™ by KALLISTA Wall Mount Widespread Sink Faucet, Lever Handles P34584-CP



Technical Information

All product dimensions are nominal.

Faucet flow rate: 1.2 gal/min (4.5 l/min)

Drain included: Yes

Drain with overflow: Yes

Drain tailpiece included: Yes

Spout:

Spout reach: 8-15/16" (227 mm)

Notes

Install this product according to the installation instructions.

ADA, OBC, CSA B651 compliant when installed to the specific requirements of these regulations.