

KALLISTA®

Vice™ by KALLISTA Freestanding Bath Faucet, Less Handshower P34586-BAF

Features

- High-quality solid metal construction for durability and reliability
- Floor-mount, single hole installation
- Required mounting block sold separately (P20511-00-NA)
- Required handshower sold separately
- Includes integral valve
- Includes hardware kit and escutcheon

Recommended Products/Accessories

- P34582-CP Widespread Sink Faucet, Lever Handles
- P34593-CP Showerhead with Arm
- P34596-CP Towel Ring
- P34590-CP Thermostatic trim, lever handle

Optional Products/Accessories

- P34211-CP Tray with Arm



Codes/Standards

- ASME A112.18.1/CSA B125.1
- California Energy Commission (CEC)

KALLISTA® Five-Year Limited Warranty

See website for detailed warranty information.

Available Colors/Finishes

Color tiles intended for reference only.

Color	Code	Description
	AF	French Gold

1-888-4-KALLISTA (1-888-452-5547)

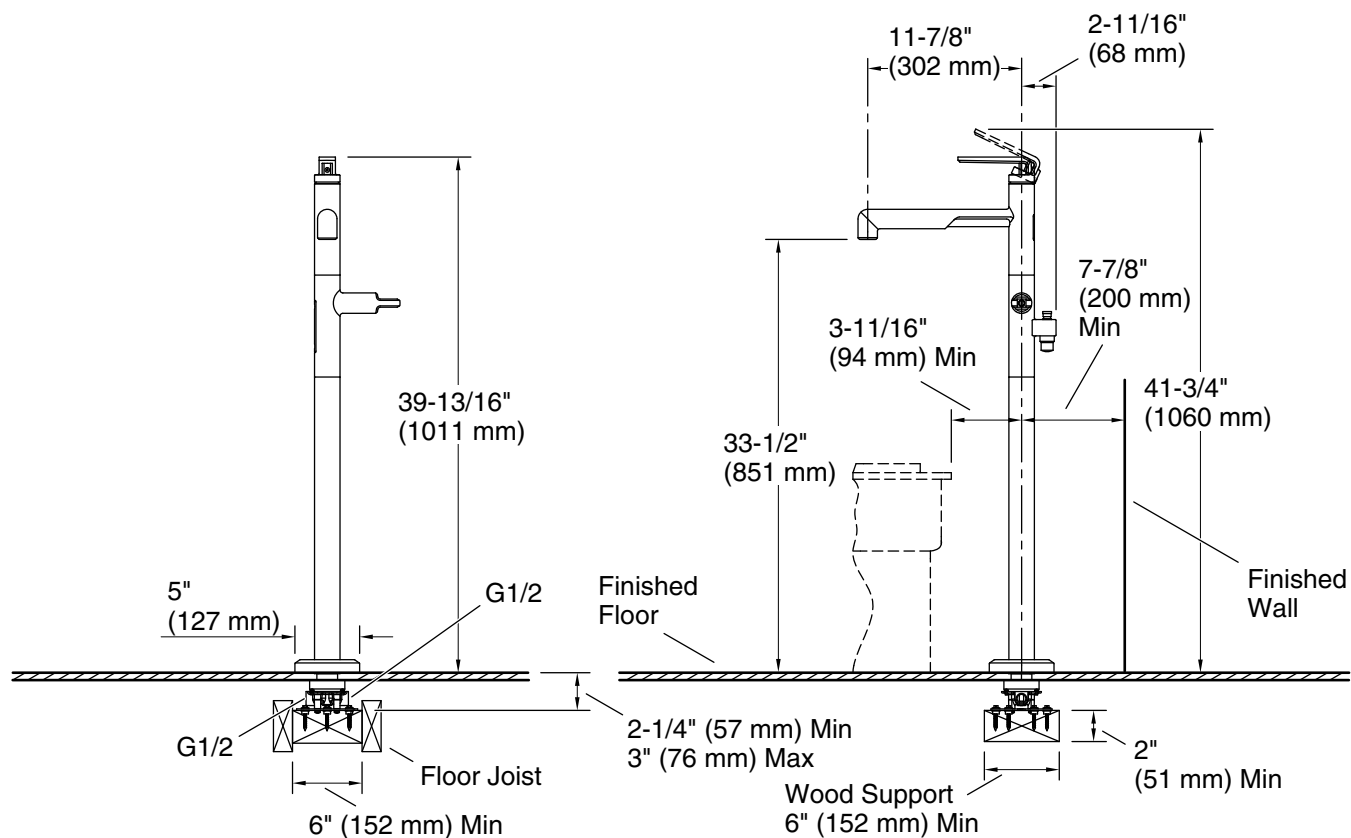
Kallista reserves the right to make revisions without notice to product specifications.

For the most current Specification Sheet, go to www.kallista.com.

2-16-2026 20:21 - US/CA

KALLISTA

Vice™ by KALLISTA Freestanding Bath Faucet, Less Handshower P34586-BAF



Technical Information

All product dimensions are nominal.

Faucet flow rate: 7 gal/min (26.5 l/min)

Spout:

Spout reach: 11-7/8" (302 mm)