

## Features

- High-quality solid metal construction for durability and reliability
- Floor-mount, single hole installation
- Required mounting block sold separately (P20511-00-NA)
- Required handshower sold separately
- Includes integral valve
- Includes hardware kit and escutcheon

## Recommended Products/Accessories

- P34582-CP Widespread Sink Faucet, Lever Handles
- P34593-CP Showerhead with Arm
- P34596-CP Towel Ring
- P34590-CP Thermostatic trim, lever handle

## Optional Products/Accessories

- P34211-CP Tray with Arm



## Codes/Standards



- ASME A112.18.1/CSA B125.1
- California Energy Commission (CEC)

## KALLISTA® Five-Year Limited Warranty

See website for detailed warranty information.

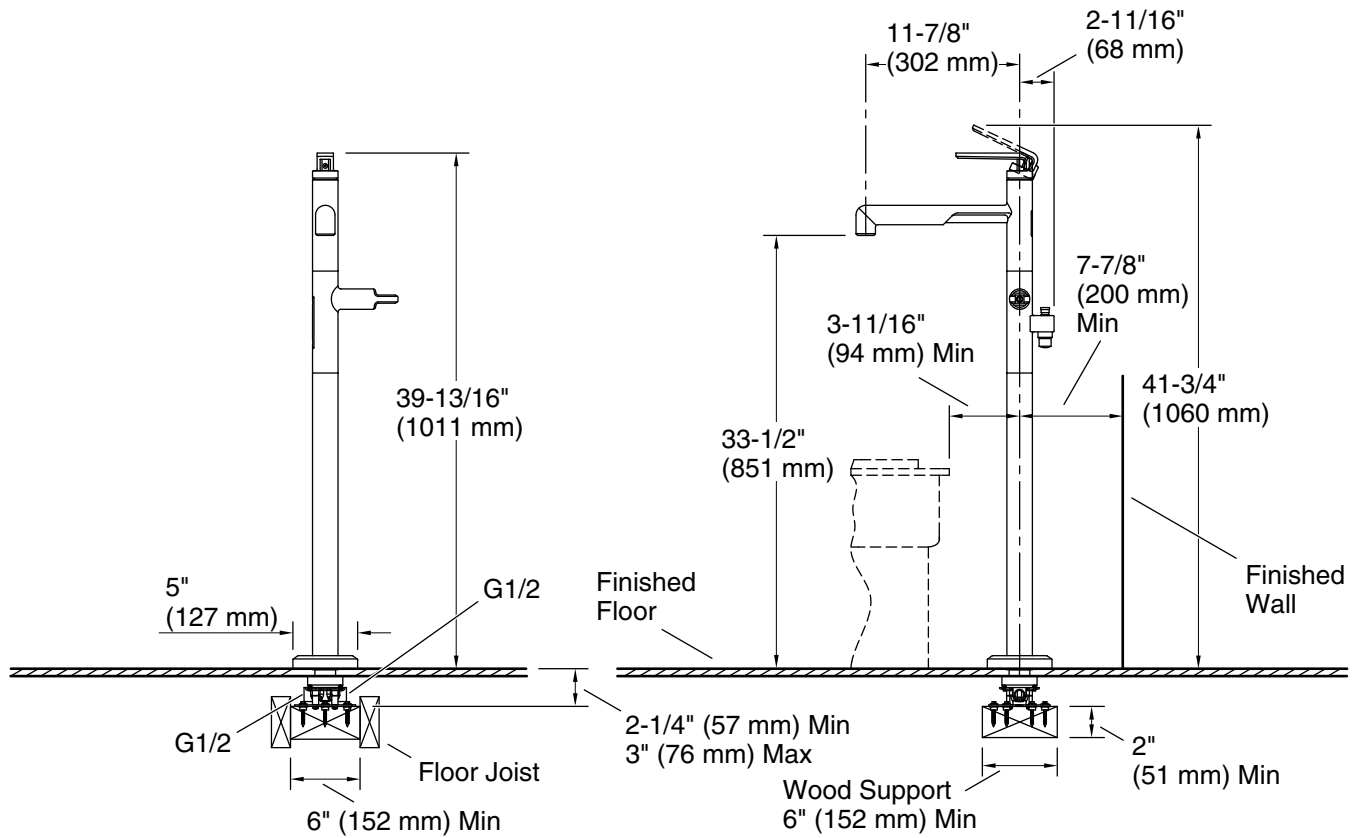
## Available Colors/Finishes

*Color tiles intended for reference only.*

Color	Code	Description
	SN	Polished Nickel
	BGP	Brushed Graphite

# KALLISTA

## Vice™ by KALLISTA Freestanding Bath Faucet, Less Handshower P34586-BN



### Technical Information

All product dimensions are nominal.

Faucet flow rate: 7 gal/min (26.5 l/min)

### Spout:

Spout reach: 11-7/8" (302 mm)

### Notes

Install this product according to the installation instructions.