

KALLISTA®

Vice™ by KALLISTA
Transfer trim, lever handle
P34591-BN

Features

- High-quality metal construction for durability and reliability
- Allows for directed water flow
- Required rough-in sold separately

Required Products/Accessories

P29513-00 Transfer Valve

or

P29514-00 Transfer Valve, Eco

Recommended Products/Accessories

P34582-CP Widespread Sink Faucet, Lever Handles

P34583-CP Single-control sink faucet

P34586-CP Freestanding Bath Faucet, Less Handshower

P34603-CP Toilet Paper Holder

P34596-CP Towel Ring



ADA

CSA B651

OBC

Codes/Standards

ASME A112.18.1/CSA B125.1

ADA

ICC/ANSI A117.1

CSA B651



OBC

KALLISTA® Five-Year Limited Warranty

See website for detailed warranty
information.

Available Colors/Finishes

Color tiles intended for reference only.

Color	Code	Description
	BGP	Brushed Graphite
	SN	Polished Nickel

1-888-4-KALLISTA (1-888-452-5547)

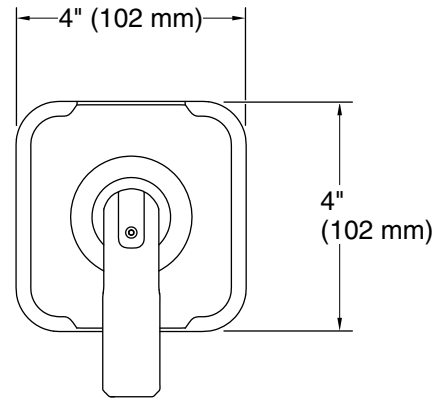
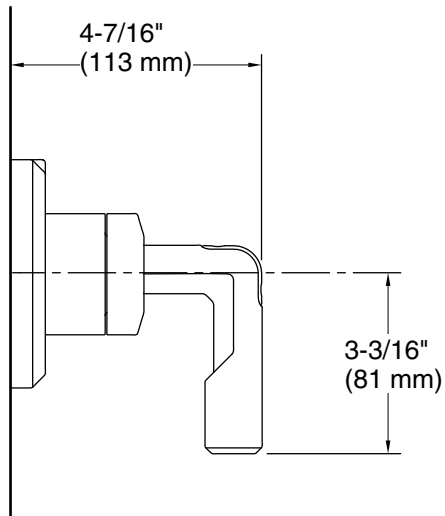
Kallista reserves the right to make revisions without notice to product specifications.

For the most current Specification Sheet, go to www.kallista.com.

1-14-2026 10:30 - US/CA

KALLISTA

Vice™ by KALLISTA
Transfer trim, lever handle
P34591-BN



Technical Information

All product dimensions are nominal.

Notes

Install this product according to the installation guide.

ADA, OBC, CSA B651 compliant when installed to the specific requirements of these regulations.