

KALLISTA®

Vice™ by KALLISTA Volume control trim, lever handle P34592-BN

Features

- High-quality metal construction for durability and reliability
- Offers a customizable shower experience
- Required rough-in sold separately

Recommended Products/Accessories

- P34582-CP Widespread Sink Faucet, Lever Handles
- P34583-CP Single-control sink faucet
- P34586-CP Freestanding Bath Faucet, Less Handshower
- P34590-CP Thermostatic trim, lever handle
- P34591-CP Transfer trim, lever handle



ADA

CSA B651

OBC

Codes/Standards

ASME A112.18.1/CSA B125.1

ADA

ICC/ANSI A117.1

CSA B651



OBC

KALLISTA® Five-Year Limited Warranty

See website for detailed warranty
information.

Available Colors/Finishes

Color tiles intended for reference only.

Color	Code	Description
	SN	Polished Nickel
	BGP	Brushed Graphite

1-888-4-KALLISTA (1-888-452-5547)

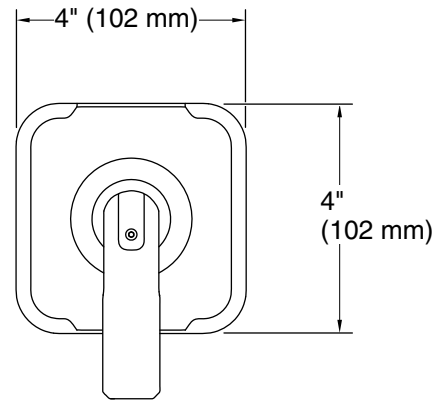
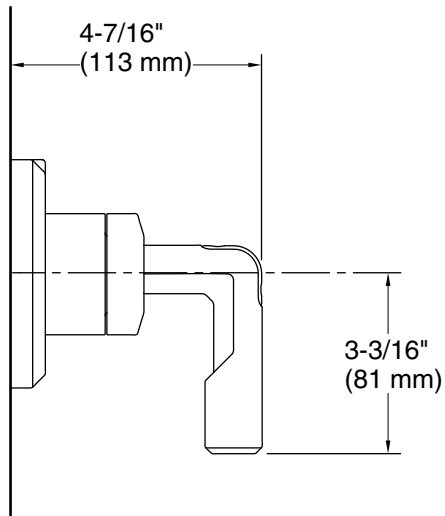
Kallista reserves the right to make revisions without notice to product specifications.

For the most current Specification Sheet, go to www.kallista.com.

2-16-2026 20:19 - US/CA

KALLISTA

Vice™ by KALLISTA
Volume control trim, lever handle
P34592-BN



Technical Information

All product dimensions are nominal.

Notes

Install this product according to the installation guide.

ADA, OBC, CSA B651 compliant when installed to the specific requirements of these regulations.