

KALLISTA®

Vice™ by KALLISTA Volume control trim, lever handle P34592-CP

Features

- High-quality metal construction for durability and reliability
- Offers a customizable shower experience
- Required rough-in sold separately

Required Products/Accessories

- P29528-00 3/4" Volume Control Rough-In Assembly
or
P29527-00 1/2" Volume Control Rough-In Assembly

Recommended Products/Accessories

- P34582-CP Widespread Sink Faucet, Lever Handles
P34583-CP Single-control sink faucet
P34586-CP Freestanding Bath Faucet, Less Handshower
P34590-CP Thermostatic trim, lever handle
P34591-CP Transfer trim, lever handle



ADA **CSA B651** **OBC**

Codes/Standards

ASME A112.18.1/CSA B125.1
ADA
ICC/ANSI A117.1
CSA B651
OBC

KALLISTA® Five-Year Limited Warranty

See website for detailed warranty
information.

Available Colors/Finishes

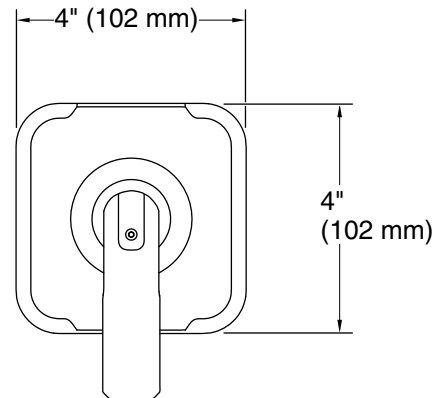
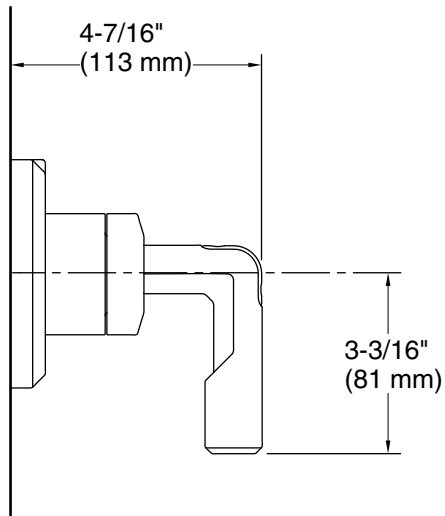
Color tiles intended for reference only.

Color Code Description

 CP Polished Chrome

KALLISTA

Vice™ by KALLISTA
Volume control trim, lever handle
P34592-CP



Technical Information

All product dimensions are nominal.

Notes

Install this product according to the installation guide.

ADA, OBC, CSA B651 compliant when installed to the specific requirements of these regulations.