

Features

- High-quality solid metal construction for durability and reliability

Recommended Products/Accessories

- P34582-CP Widespread Sink Faucet, Lever Handles
- P34586-CP Freestanding Bath Faucet, Less Handshower
- P34590-CP Thermostatic trim, lever handle
- P34591-CP Transfer trim, lever handle
- P34592-CP Volume control trim, lever handle



Codes/Standards



None Applicable

KALLISTA® Five-Year Limited Warranty

See website for detailed warranty information.

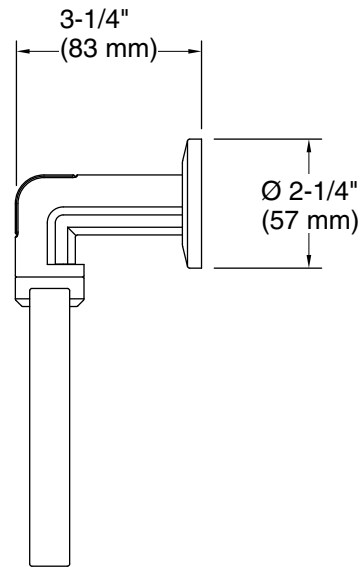
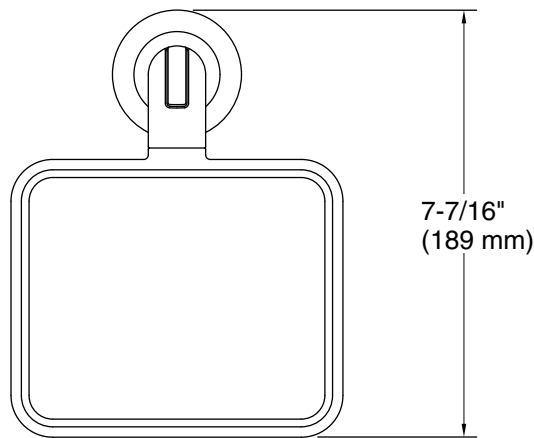
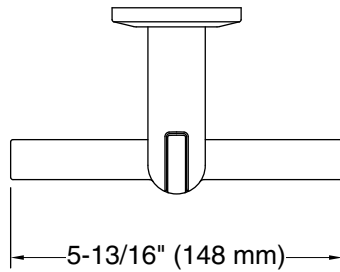
Available Colors/Finishes

Color tiles intended for reference only.

| Color | Code | Description |
|---|------|------------------|
|  | SN | Polished Nickel |
|  | BGP | Brushed Graphite |

KALLISTA

Vice™ by KALLISTA
Towel Ring
P34596-BN



Technical Information

All product dimensions are nominal.

Material: Zinc

Notes

Install this product according to the installation instructions.