

KALLISTA®

Vice™ by KALLISTA
Single Control trim with diverter, lever handle
P34604-CP

Features

- High-quality metal construction for durability and reliability
- Maintains water temperature within +/-3 degrees Fahrenheit
- Features a high-temperature-limit stop to help prevent scalding
- Required rough-in sold separately

Required Products/Accessories

P29305-00 Pressure Balance Rough-In Assembly with Diverter

or

P29305-WS Pressure Balance Rough-In Assembly with Stops and Diverter

Recommended Products/Accessories

P34595-CP Towel Bar, 24"

P34593-CP Showerhead with Arm

P34582-CP Widespread Sink Faucet, Lever Handles

P34585-CP Deck-mount Bath Faucet, Lever Handle



ADA

CSA B651

OBC

Codes/Standards

ASME A112.18.1/CSA B125.1

ADA

ICC/ANSI A117.1

CSA B651

OBC

KALLISTA® Five-Year Limited Warranty

See website for detailed warranty information.

Available Colors/Finishes

Color tiles intended for reference only.

Color	Code	Description
-------	------	-------------



CP	Polished Chrome
----	-----------------

1-888-4-KALLISTA (1-888-452-5547)

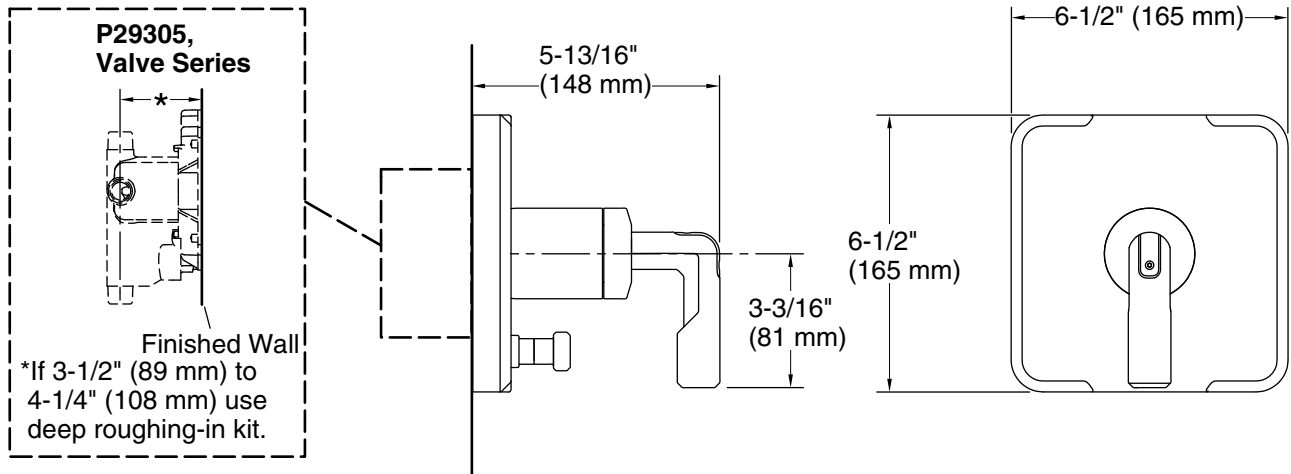
Kallista reserves the right to make revisions without notice to product specifications.

For the most current Specification Sheet, go to www.kallista.com.

12-1-2025 19:50 - US/CA

KALLISTA

Vice™ by KALLISTA
Single Control trim with diverter, lever handle
P34604-CP



Technical Information

All product dimensions are nominal.

Notes

Install this product according to the installation guide.

ADA, OBC, CSA B651 compliant when installed to the specific requirements of these regulations.