

Features

- High-flow thermostatic mixing valve
- Mechanically controlled thermostatic mixing valve maintains outlet temperature throughout shower experience
- Up to 7 gpm (26.5 lpm) maximum flow rate at 45 psi (3.1 bar)
- 3/4" female NPT inlet
- 1/2" female NPT outlet
- Service stops with integral filters
- Antiscald protection
- Integrated adjustable high-temperature limit stop to control maximum water temperature
- Adjustable comfort setting (preset at approximately 104°F)

Material

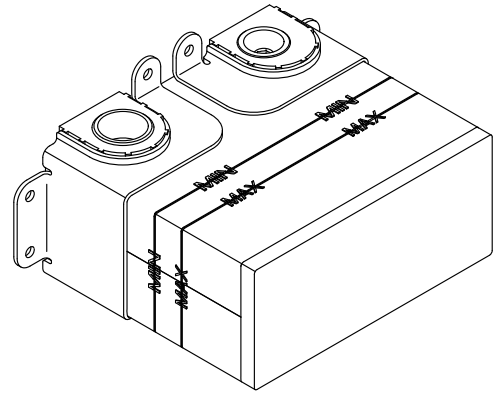
- Cast dezincification-resistant brass body provides long term reliability and resistance to aggressive water conditions

Installation

- Requires one-outlet thermostatic valve control panel trim with recessed push button (sold separately)
- Mounts within standard 2" x 4" (38 x 102 mm) walls
- Fully-serviceable from the front of the valve

Required Products/Accessories

P34718-00 Mechanical showering one-outlet thermostatic control panel



Codes/Standards

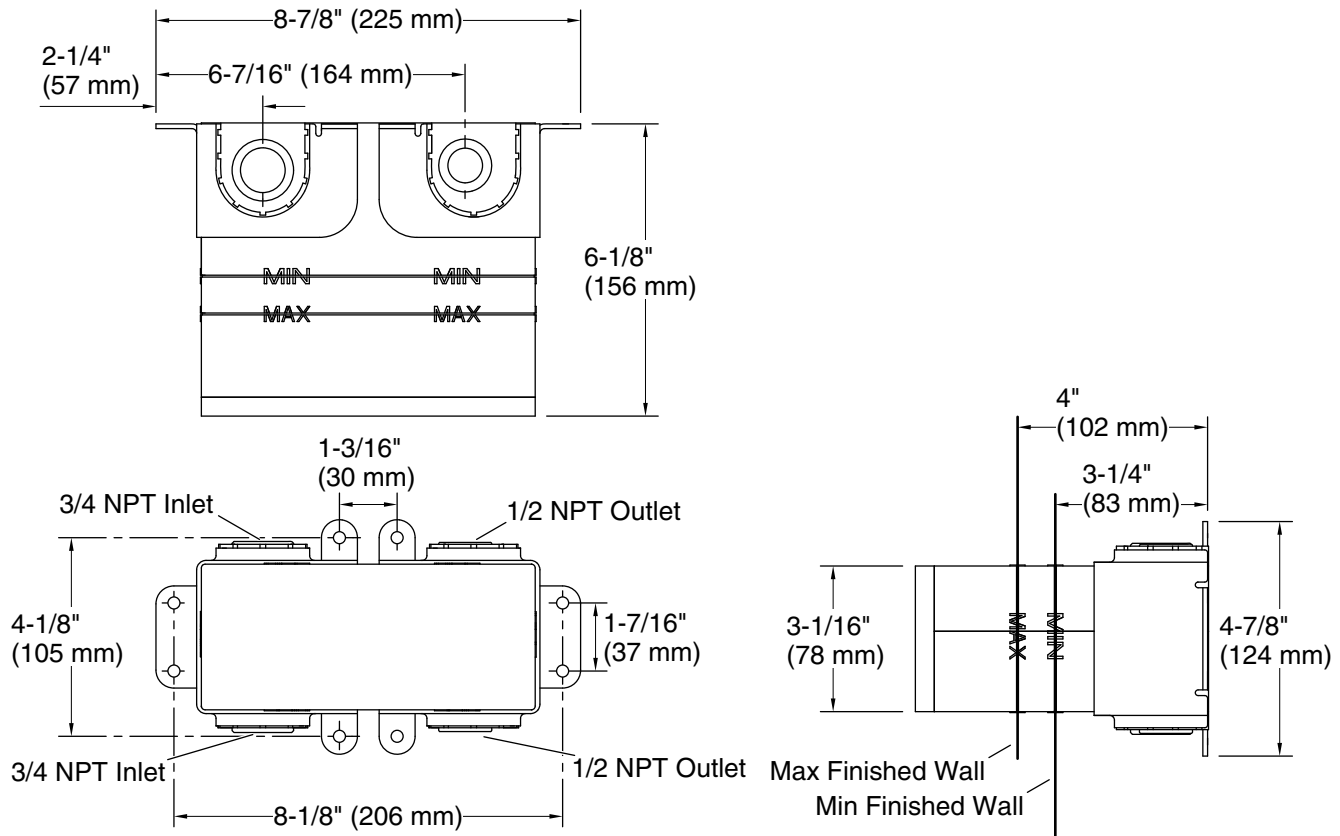
ASME A112.18.1/CSA B125.1
ASSE 1016/ASME A112.1016/CSA B125.16

KALLISTA® Five-Year Limited Warranty

See website for detailed warranty information.

KALLISTA

Foundations by KALLISTA Mechanical showering one-port thermostatic valve with integrated volume control P34722-00



Technical Information

All product dimensions are nominal.

Notes

Install this product according to the installation instructions.