

# KALLISTA®

## Vice™ by KALLISTA Thermostatic trim, crank handle P34867-CP

### Features

- High-quality metal construction for durability and reliability
- Precise temperature setting capability
- Thermostatic technology automatically maintains outlet temperature during water pressure fluctuations and/or inlet water temperature changes
- Required rough-in sold separately

### Required Products/Accessories

P29511-WS 1/2" Thermostatic Mixing Valve

or

P29512-WS 3/4" Thermostatic Mixing Valve

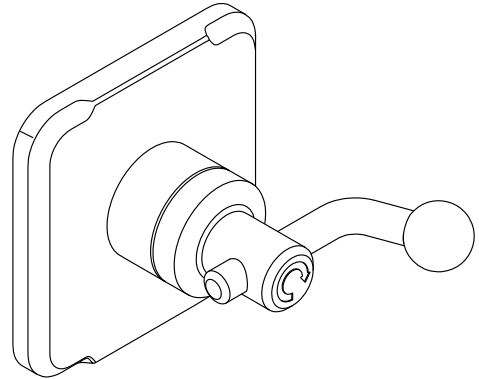
### Recommended Products/Accessories

P34864-CP Widespread Sink Faucet, Crank Handles

P34605-CP Single Control trim with diverter, crank handle

P34595-CP Towel Bar, 24"

P34870-CP Deck-mount Bath Faucet, Crank Handle



**ADA**

**CSA B651**

**OBC**

### Codes/Standards

ASME A112.18.1/CSA B125.1

ADA

ICC/ANSI A117.1

CSA B651

OBC

### KALLISTA® Five-Year Limited Warranty

See website for detailed warranty information.

### Available Colors/Finishes

*Color tiles intended for reference only.*

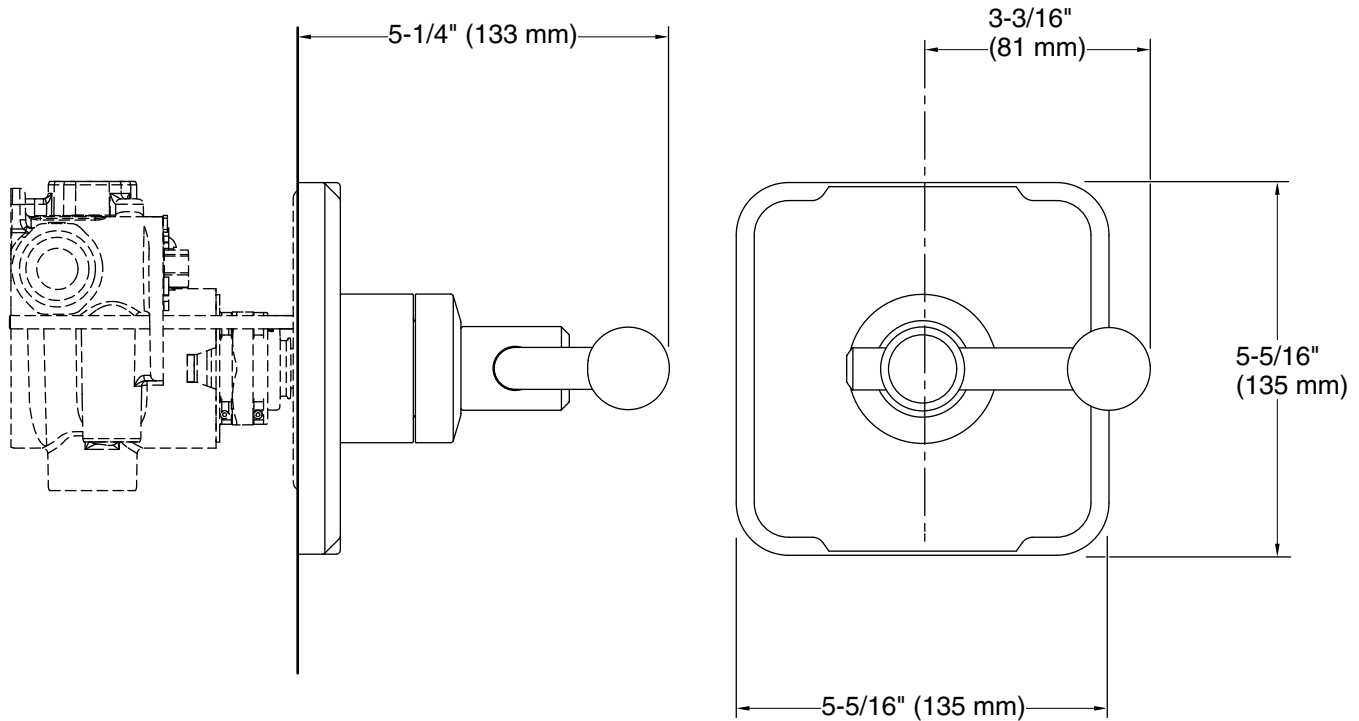
| Color | Code | Description |
|-------|------|-------------|
|-------|------|-------------|



|    |                 |
|----|-----------------|
| CP | Polished Chrome |
|----|-----------------|

# KALLISTA

Vice™ by KALLISTA  
Thermostatic trim, crank handle  
P34867-CP



## Technical Information

All product dimensions are nominal.

## Notes

Install this product according to the installation instructions.

ADA, OBC, CSA B651 compliant when installed to the specific requirements of these regulations.