

KALLISTA®

Vice™ by KALLISTA Volume control trim, crank handle P34869-BN

Features

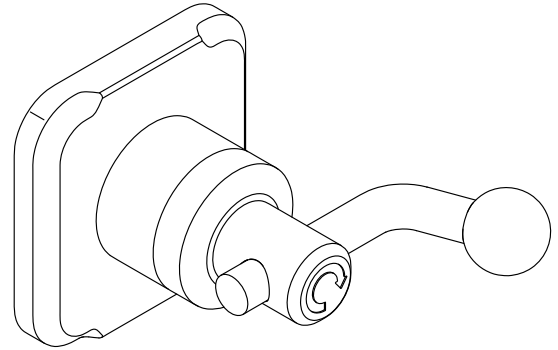
- High-quality metal construction for durability and reliability
- Offers a customizable shower experience
- Required rough-in sold separately

Required Products/Accessories

- P29528-00 3/4" Volume Control Rough-In Assembly
or
P29527-00 1/2" Volume Control Rough-In Assembly

Recommended Products/Accessories

- P34867-CP Thermostatic trim, crank handle
P34868-CP Transfer trim, crank handle
P34864-CP Widespread Sink Faucet, Crank Handles
P34870-CP Deck-mount Bath Faucet, Crank Handle



ADA **CSA B651** **OBC**

Codes/Standards



ASME A112.18.1/CSA B125.1
ADA
ICC/ANSI A117.1
CSA B651
OBC

KALLISTA® Five-Year Limited Warranty

See website for detailed warranty
information.

Available Colors/Finishes

Color tiles intended for reference only.

| Color | Code | Description |
|-------------------------------------------------------------------------------------|------|------------------|
|  | SN | Polished Nickel |
|  | BGP | Brushed Graphite |

1-888-4-KALLISTA (1-888-452-5547)

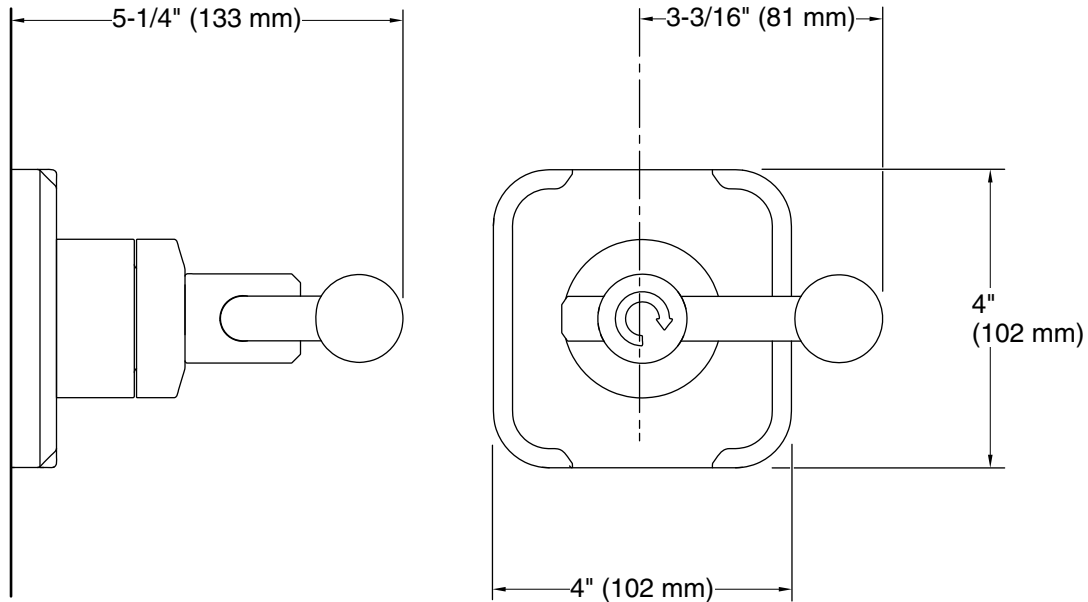
Kallista reserves the right to make revisions without notice to product specifications.

For the most current Specification Sheet, go to www.kallista.com.

2-16-2026 20:18 - US/CA

KALLISTA

Vice™ by KALLISTA
Volume control trim, crank handle
P34869-BN



Technical Information

All product dimensions are nominal.

Notes

Install this product according to the installation instructions.

ADA, OBC, CSA B651 compliant when installed to the specific requirements of these regulations.