

KALLISTA®

Central Park West® by Robert A.M. Stern Architects

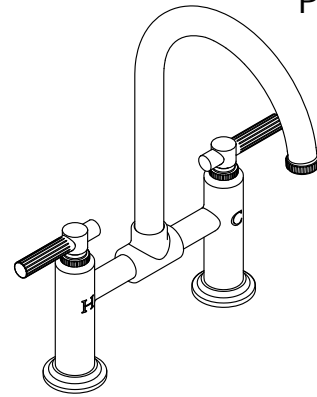
Deck-Mount Bridge Faucet, Arch Spout, Lever Handles P35494-LV

Features

- High-quality solid-brass construction for durability and reliability
- 1.8 gpm (6.8 lpm) maximum flow rate
- Two-hole installation
- 360-degree swing spout
- Sink strainer with tailpiece sold separately

Recommended Products/Accessories

- P35501-00 Sidespray
- P35502-LV Gentleman's Bar Faucet, Tall Spout, Lever Handle
- P35507-LV Drinking Faucet, Arch Spout
- P34014-00 Air Gap Body With Cover
- L39742-00 36" Apron Front Kitchen Sink



ADA **CSA B651**

Codes/Standards



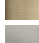




ASME A112.18.1/CSA B125.1
NSF/ANSI/CAN 61
NSF/ANSI/CAN 372
DOE - Energy Policy Act 1992
California Energy Commission (CEC)
ADA
ICC/ANSI A117.1
CSA B651

KALLISTA® Five-Year Limited Warranty

See website for detailed warranty information.

Available Colors/Finishes

Color tiles intended for reference only.

Color	Code	Description
	CP	Polished Chrome
	ULB	Unlacquered Brass
	BAF	Brushed French Gold
	VS	Stainless
	SN	Polished Nickel
	2MB	Brushed Moderne Brass
	BGP	Brushed Graphite

1-888-4-KALLISTA (1-888-452-5547)

Kallista reserves the right to make revisions without notice to product specifications.

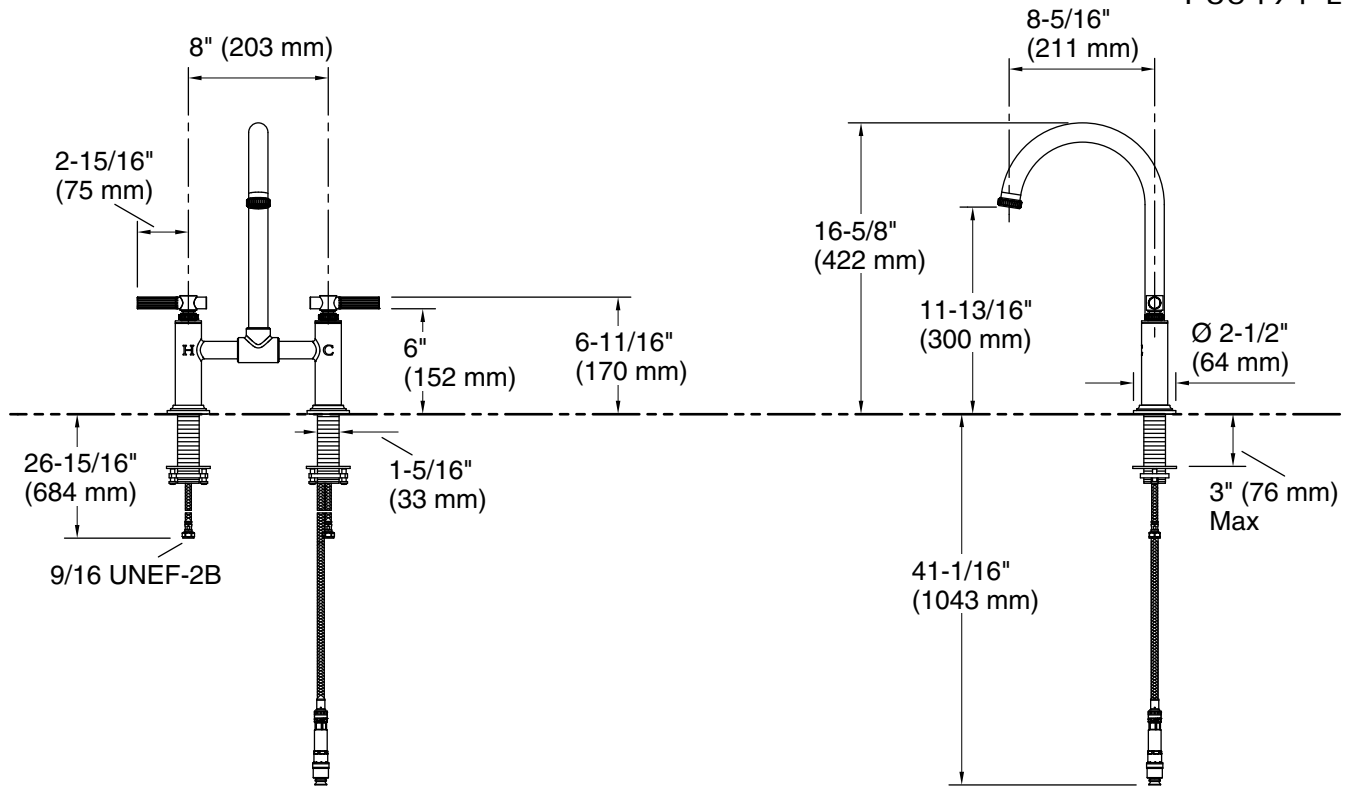
For the most current Specification Sheet, go to www.kallista.com.

5-18-2026 23:15 - US/CA

KALLISTA

Central Park West[®] by Robert A.M. Stern
Architects

Deck-Mount Bridge Faucet, Arch Spout, Lever
Handles
P35494-LV



Technical Information

All product dimensions are nominal.

Faucet flow rate: 1.8 gal/min (6.8 l/min)

Spout:

Spout reach: 8-5/16" (211 mm)

Notes

Install this product according to the installation guide.

ADA compliant for faucet handles only
ADA, CSA B651 compliant when installed to the specific requirements of these regulations.