

# KALLISTA®

## Central Park West® by Robert A.M. Stern Architects

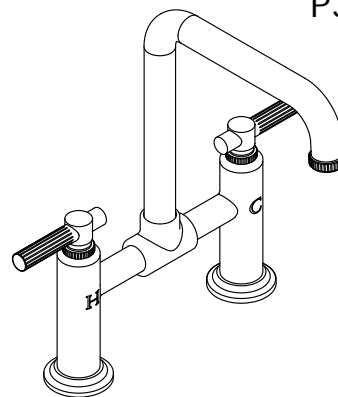
### Deck-Mount Bridge Faucet, Tall Spout, Lever Handles P35495-LV

#### Features

- High-quality solid-brass construction for durability and reliability
- 1.8 gpm (6.8 lpm) maximum flow rate
- Two-hole installation
- 360-degree swing spout
- Sink strainer with tailpiece sold separately

#### Recommended Products/Accessories

- P35501-00 Sidespray
- P35502-LV Gentleman's Bar Faucet, Tall Spout, Lever Handle
- P35508-LV Drinking Faucet, Tall Spout
- P34014-00 Air Gap Body With Cover
- L39742-00 36" Apron Front Kitchen Sink



**ADA** **CSA B651**

#### Codes/Standards







ASME A112.18.1/CSA B125.1  
NSF/ANSI/CAN 61  
NSF/ANSI/CAN 372  
DOE - Energy Policy Act 1992  
California Energy Commission (CEC)  
ADA  
ICC/ANSI A117.1  
CSA B651

#### KALLISTA® Five-Year Limited Warranty

See website for detailed warranty information.

#### Available Colors/Finishes

*Color tiles intended for reference only.*

Color	Code	Description
	CP	Polished Chrome
	ULB	Unlacquered Brass
	BAF	Brushed French Gold
	BGP	Brushed Graphite
	VS	Stainless
	2MB	Brushed Moderne Brass
	SN	Polished Nickel

1-888-4-KALLISTA (1-888-452-5547)

Kallista reserves the right to make revisions without notice to product specifications.

For the most current Specification Sheet, go to [www.kallista.com](http://www.kallista.com).

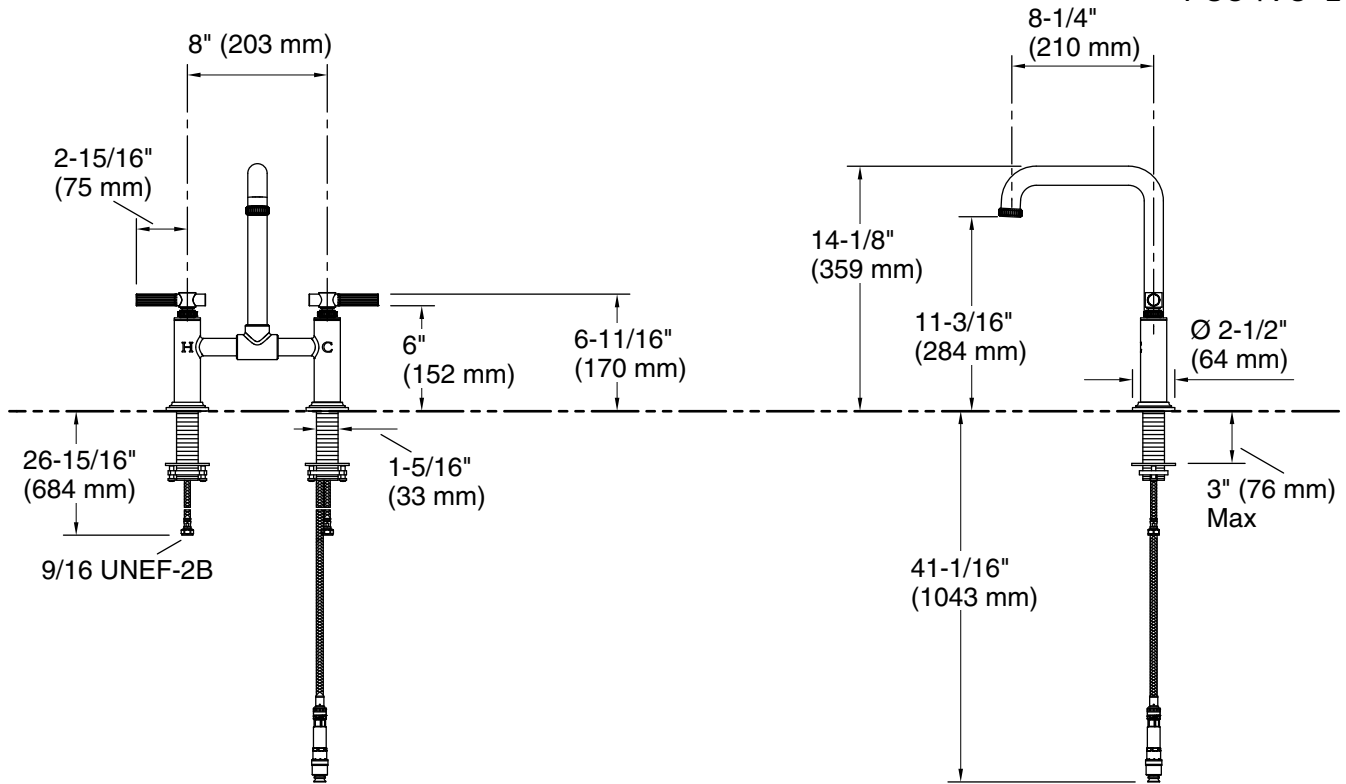
5-18-2026 23:15 - US/CA

# KALLISTA

## Central Park West<sup>®</sup> by Robert A.M. Stern Architects

### Deck-Mount Bridge Faucet, Tall Spout, Lever Handles

#### P35495-LV



#### Technical Information

All product dimensions are nominal.

Faucet flow rate: 1.8 gal/min (6.8 l/min)

#### Spout:

Spout reach: 8-1/4" (210 mm)

#### Notes

Install this product according to the installation guide.

ADA compliant for faucet handles only  
ADA, CSA B651 compliant when installed to the specific requirements of these regulations.