

KALLISTA®

One™ by KALLISTA
Thermostatic trim, Armory handle
P40881-BL

Features

- Sleek contemporary design
- Solid metal construction for durability and reliability
- Precise temperature setting capability
- Required rough-in sold separately

Required Products/Accessories

P29511-WS 1/2" Thermostatic Mixing Valve

or

P29512-WS 3/4" Thermostatic Mixing Valve



ADA **CSA B651** **OBC**

Codes/Standards

ASME A112.18.1/CSA B125.1

ADA

ICC/ANSI A117.1

CSA B651

OBC

KALLISTA® Five-Year Limited Warranty

See website for detailed warranty
information.

Available Colors/Finishes

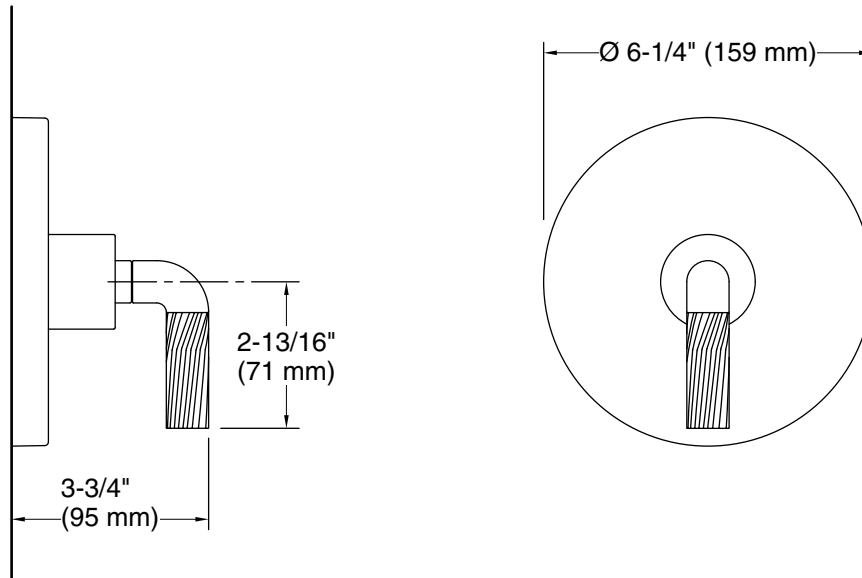
Color tiles intended for reference only.

Color Code Description

 CP Polished Chrome

KALLISTA

One™ by KALLISTA
Thermostatic trim, Armory handle
P40881-BL



Technical Information

All product dimensions are nominal.

Drain included: No

Notes

Install this product according to the installation instructions.

ADA, OBC, CSA B651 compliant when installed to the specific requirements of these regulations.