

KALLISTA®

Foundations by KALLISTA
Ceramic valve for wall-mount single-control sink
faucet
P41299-00

Features

- High-quality solid-brass construction for durability and reliability
- Recessed installation

Recommended Products/Accessories

P26675-00 Wall-mount single-control sink faucet, elongated spout
P26613-00 Wall-mount single-control sink faucet
P34124-00 Wall Mount Single Control Sink Faucet, Lever Handle

IMAGE COMING SOON

Codes/Standards

ASME A112.18.1/CSA B125.1
NSF/ANSI/CAN 61
NSF/ANSI/CAN 372

KALLISTA® Five-Year Limited Warranty

See website for detailed warranty information.

1-888-4-KALLISTA (1-888-452-5547)

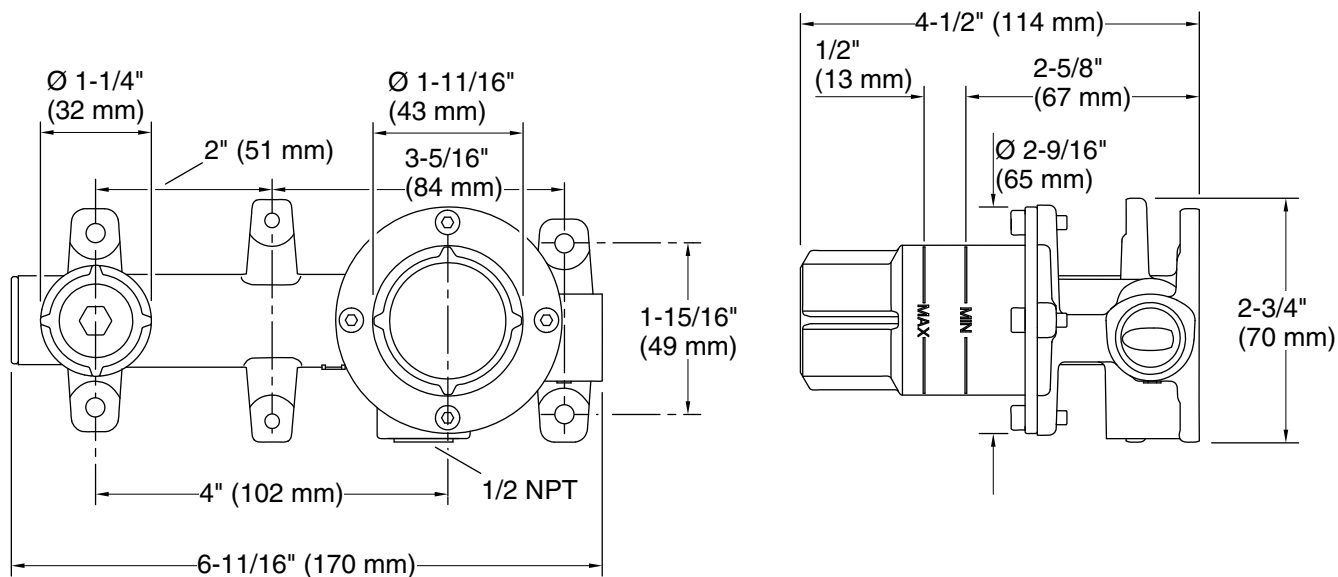
Kallista reserves the right to make revisions without notice to product specifications.

For the most current Specification Sheet, go to www.kallista.com.

2-6-2025 21:37 - US/CA

KALLISTA

Foundations by KALLISTA
Ceramic valve for wall-mount single-control sink
faucet
P41299-00



Technical Information

All product dimensions are nominal.

Drain included: No

Drain with No

overflow:

Notes

Install this product according to the installation instructions.