

## Features

- A selection of products within this collection is in stock and ready to ship. Please visit [kallista.com/resources#ReadyToShip](http://kallista.com/resources#ReadyToShip) for the complete list of Ready-to-Ship products and finishes
- High density molded wood construction
- High-quality solid-brass hinges for durability and reliability
- Includes slow-close hinges
- Ergonomically contoured for maximum comfort
- Elongated shape

## Recommended Products/Accessories

- P70300-00 Two-Piece High-Performance Toilet, Less Seat
- P70304-00 Classic flush handle finish upgrade



## Codes/Standards

None Applicable

## KALLISTA® Five-Year Limited Warranty

See website for detailed warranty information.

## Available Colors/Finishes

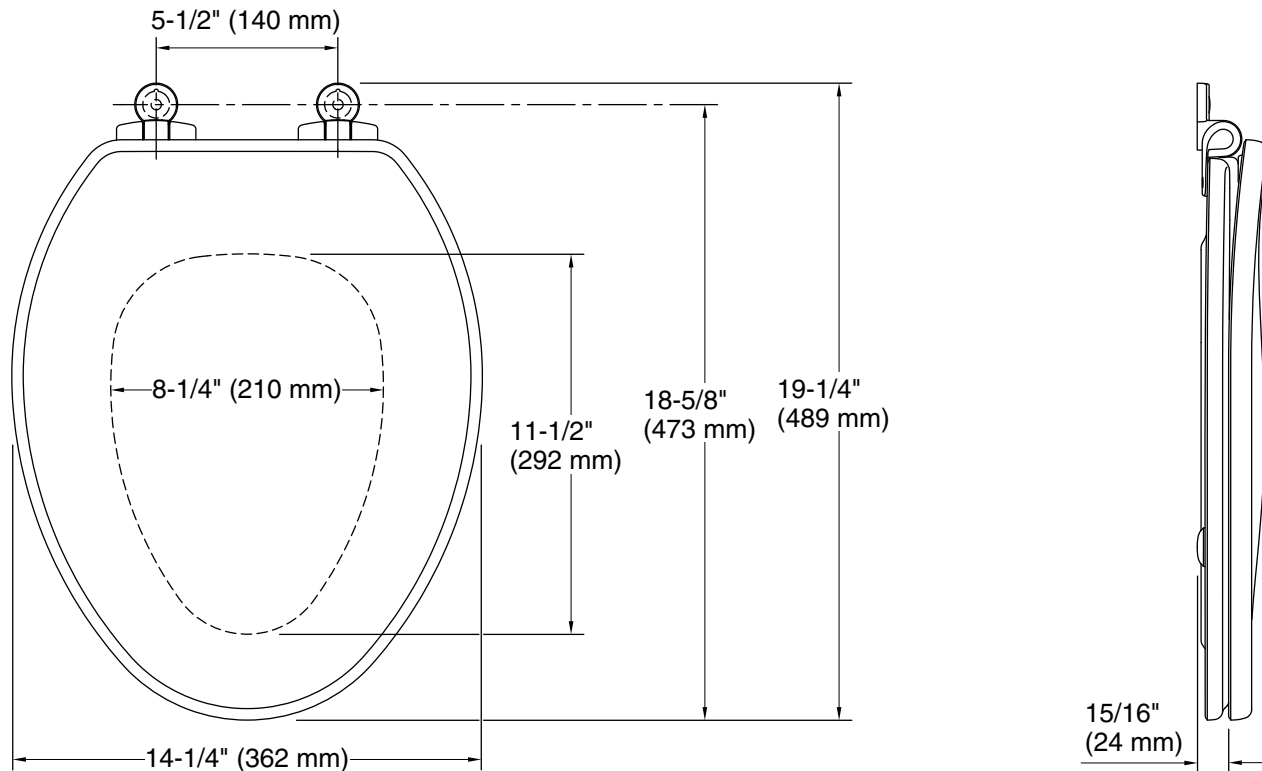
*Color tiles intended for reference only.*

Color	Code	Description
-------	------	-------------

	0	Stucco White
---	---	--------------

# KALLISTA

KALLISTA  
Toilet Seat  
P70303-BN



## Technical Information

All product dimensions are nominal.

Seat shape type: Elongated  
Seat front type: Closed-front  
Seat hinge type: Check  
Seat-mounting holes: 5-1/2" (140 mm)

## Pressure/fixture Supply Requirements

## Notes

Install this product according to the installation instructions.