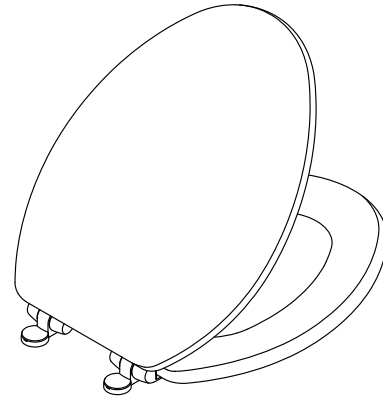


Features

- A selection of products within this collection is in stock and ready to ship. Please visit kallista.com/readytoship for the complete list of Ready-to-Ship products and finishes
- High density molded wood construction
- High-quality solid-brass hinges for durability and reliability
- Includes slow-close hinges
- Ergonomically contoured for maximum comfort
- Elongated shape

Recommended Products/Accessories

- P70320-00 Two-Piece High-Performance Toilet, Less Seat
- P70300-00 Two-Piece High-Performance Toilet, Less Seat
- P70304-00 Classic flush handle finish upgrade



Codes/Standards


None Applicable

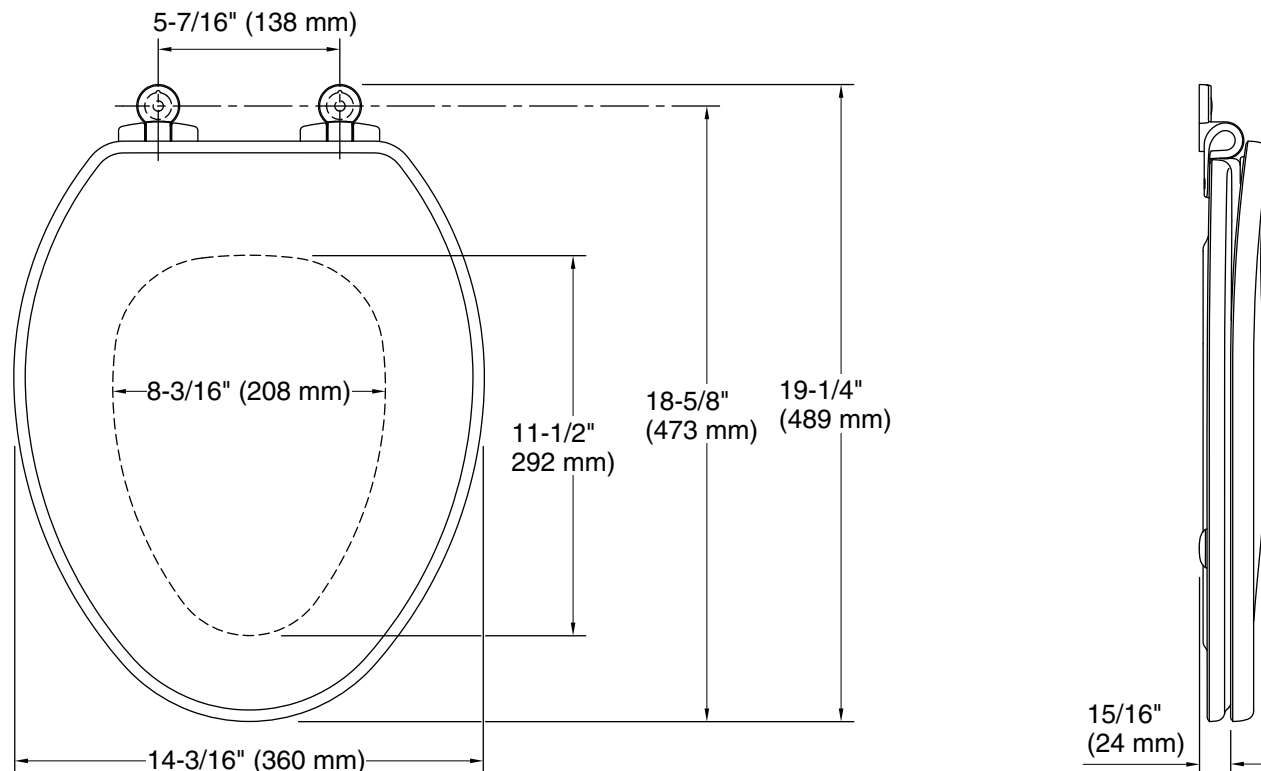
KALLISTA® Five-Year Limited Warranty

See website for detailed warranty information.

Available Colors/Finishes

Color tiles intended for reference only.

Color	Code	Description
	PGP	Polished Graphite



Technical Information

All product dimensions are nominal.

- Seat shape type: Elongated
- Seat front type: Closed-front
- Seat hinge type: Check
- Seat-mounting holes: 5-1/2" (140 mm)

Pressure/fixture Supply Requirements

Notes

Install this product according to the installation instructions.