

# KALLISTA®

## KALLISTA Toilet Seat P70313-AD

### Features

- A selection of products within this collection is in stock and ready to ship. Please visit [kallista.com/resources#ReadyToShip](http://kallista.com/resources#ReadyToShip) for the complete list of Ready-to-Ship products and finishes
- High density molded wood construction
- High-quality solid-brass hinges for durability and reliability
- Includes slow-close hinges
- Ergonomically contoured for maximum comfort
- Elongated shape

### Recommended Products/Accessories

P70310-00 Two-Piece High-Efficiency Toilet, Less Seat



### Codes/Standards

None Applicable

### KALLISTA® Five-Year Limited Warranty

See website for detailed warranty information.

### Available Colors/Finishes

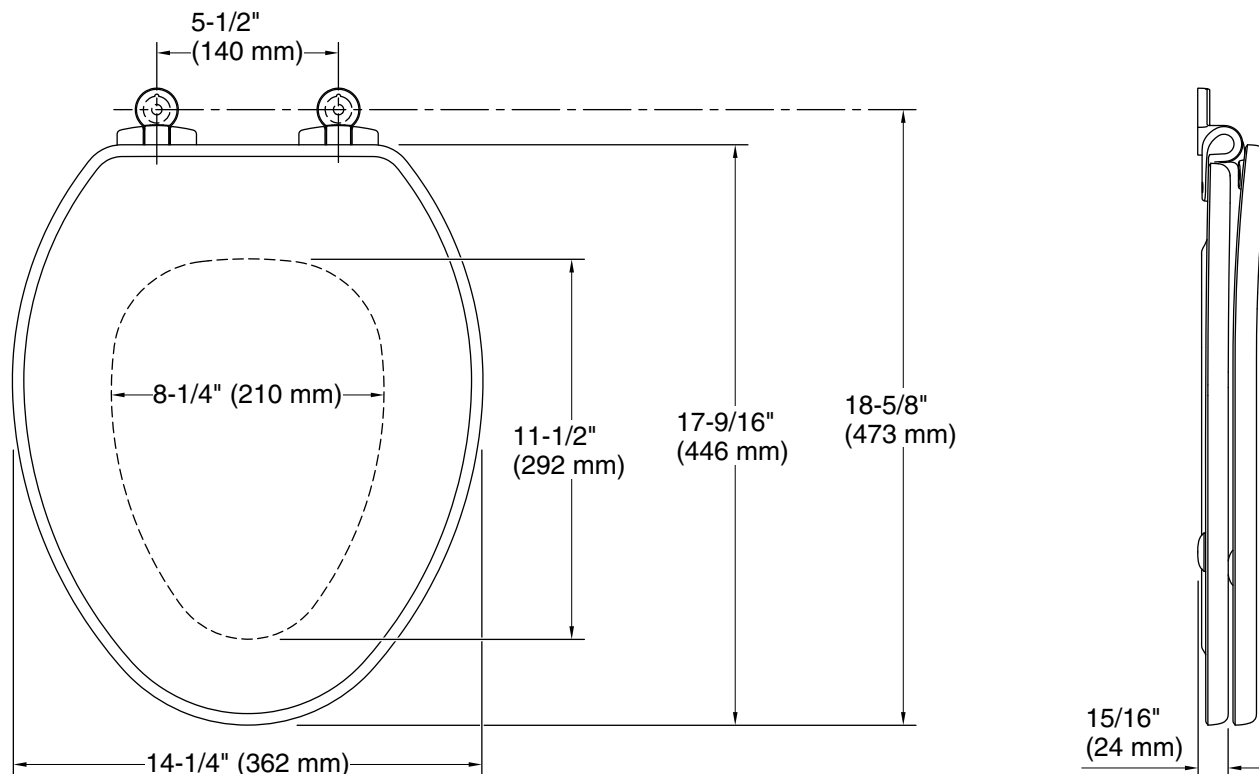
*Color tiles intended for reference only.*

Color	Code	Description
-------	------	-------------

	0	Stucco White
---	---	--------------

# KALLISTA

KALLISTA  
Toilet Seat  
P70313-AD



## Technical Information

All product dimensions are nominal.

Seat shape type: Elongated

Seat front type: Closed-front

## Pressure/fixture Supply Requirements

## Notes

Install this product according to the installation guide.