

KALLISTA®

Bacifiore® by Mick De Giulio Undermount Bathroom Sink P72080-00

Features

- Polished Distressed (PDS) finish is constructed of 16-gauge stainless steel
- Distressed Polished Silicon Bronze (DSZ) finish is constructed of 16-gauge bronze
- Distressed Copper (DPC) finish is constructed of 16-gauge copper
- All Bacifiore mirrored finishes are hand polished by skilled artisans to achieve maximum brilliance in reflectivity
- Copper and Silicon Bronze finishes are made with genuine materials that are susceptible to a highly unique and characterized aging process inherent to living finishes. Reference the KALLISTA recommended care and cleaning instructions for more information.
- Fabricated basin with zero-radii corners delivers a sleek design, enhancing reflectivity of polished finishes
- 19" (483 mm) total width
- 15" (381 mm) total length
- 5-5/8" (143 mm) total depth
- Center drain
- Required Drain Spacer Kit (P21640-00) sold separately
- Includes mounting hardware

Required Products/Accessories

P21640-00 Drain Spacer Kit

Recommended Products/Accessories

P21680-00 Drain
P25011-LV Wall-Mount Sink Faucet, Lever Handles
P25013-00 Towel Ring
P24911-LV Wall-Mount Sink Faucet, Lever Handles
P25337-00 Towel ring



ADA

CSA B651

Codes/Standards




CSA B45.12/IAPMO Z402
ADA
ICC/ANSI A117.1
CSA B651

KALLISTA® Five-Year Limited Warranty

See website for detailed warranty information.

Available Colors/Finishes

Color tiles intended for reference only.

Color	Code	Description
	PDS	Polished Distressed
	DPC	Distressed Copper
	DSZ	Distressed Silicon Bronze

1-888-4-KALLISTA (1-888-452-5547)

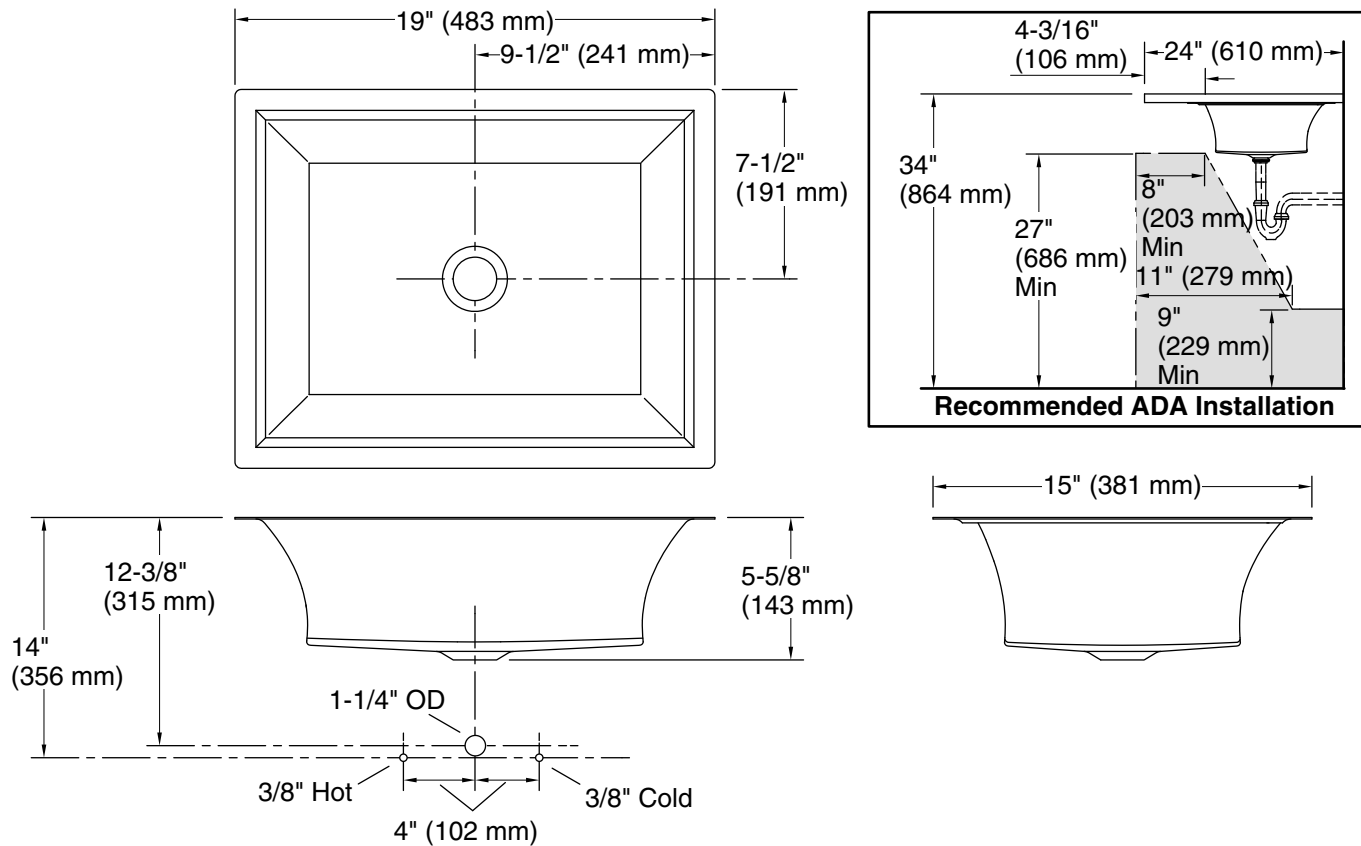
Kallista reserves the right to make revisions without notice to product specifications.

For the most current Specification Sheet, go to www.kallista.com.

4-24-2026 08:00 - US/CA

KALLISTA®

Bacifiore® by Mick De Giulio
Undermount Bathroom Sink
P72080-00



Technical Information

All product dimensions are nominal.

Basin configuration:	Single Bowl
Min. base cabinet width:	21" (533 mm)
Bowl area (Basin #1):	Length: 16-9/16" (421 mm) Width: 12-9/16" (320 mm) Bowl depth: 5-5/8" (143 mm) Water depth: 5-1/4" (133 mm)
With overflow:	No
Drain hole:	1-3/4" (44 mm)
Template:	Undermount, 1197156-7, required, included

Notes

Install this product according to the installation instructions.

ADA, CSA B651 compliant when installed to the specific requirements of these regulations.