

KALLISTA®

Vir Stil® by Laura Kirar Wall-Mount Sink Faucet, Lever Handles P80235-LV

Features

- High-quality solid-brass construction for durability and reliability
- Three-hole installation
- Required rough-in sold separately (P29304-00-NA)
- 1.2 gpm (4.5 lpm) maximum flow rate
- Spout reach is 6-3/8" (162 mm)
- Includes soft-touch drain

Required Products/Accessories

P29304-00 Rough-In

Adapters, Rough-in and Extension Kits

1006721 Range: 2-1/2" (64 mm) -
3-1/2" (89 mm)

Recommended Products/Accessories

P80240-LV Thermostatic trim (Qty 9)
P80244-00 Towel Bar, 24" (Qty 9)
P80248-00 Toilet Paper Holder (Qty 9)



ADA **CSA B651** **OBC**

Codes/Standards

ASME A112.18.1/CSA B125.1
NSF/ANSI/CAN 61
NSF/ANSI/CAN 372
DOE - Energy Policy Act 1992
EPA WaterSense®
California Energy Commission (CEC)
ADA
ICC/ANSI A117.1
CSA B651
OBC

KALLISTA® Five-Year Limited Warranty

See website for detailed warranty
information.

Available Colors/Finishes

Color tiles intended for reference only.

Color	Code	Description
	CP	Polished Chrome
	SN	Polished Nickel
	BAF	Brushed French Gold
	BN	Brushed Nickel

1-888-4-KALLISTA (1-888-452-5547)

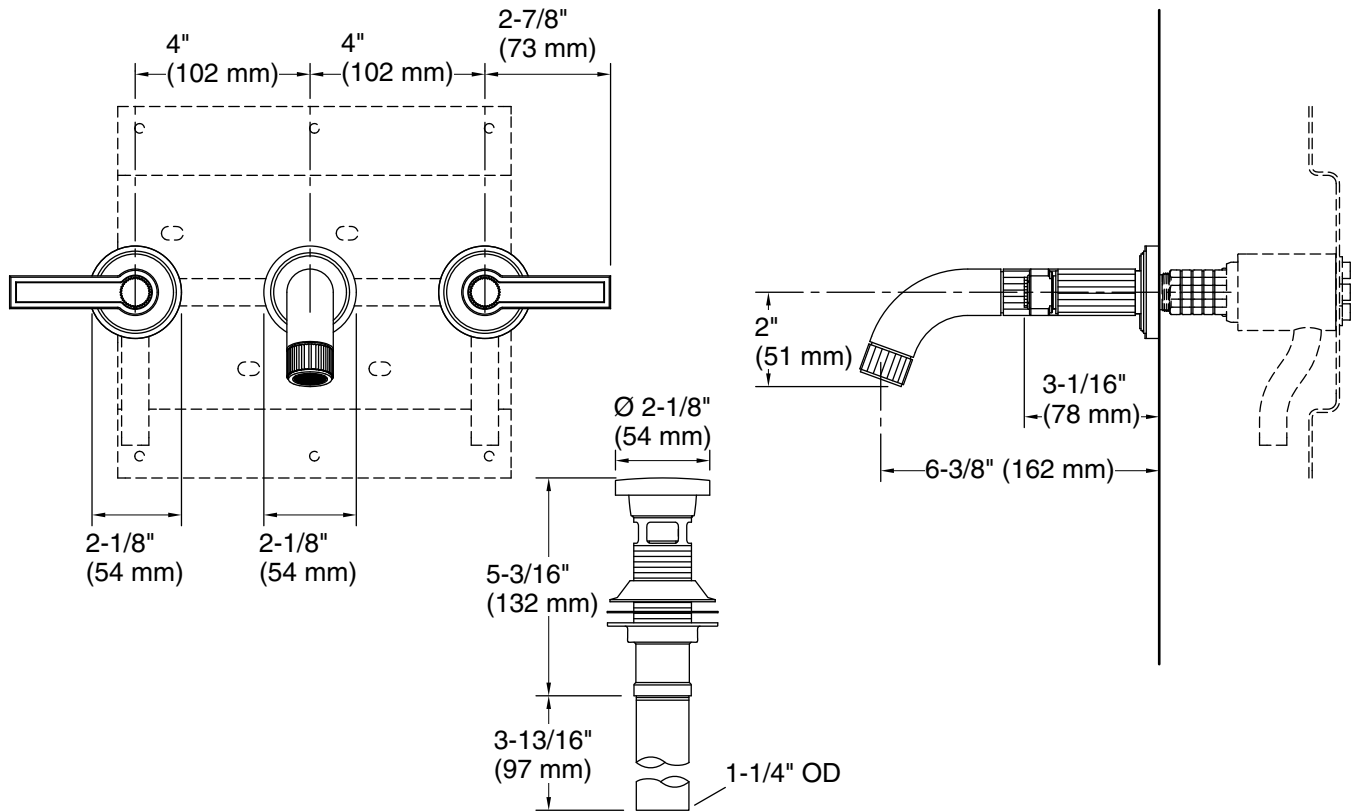
Kallista reserves the right to make revisions without notice to product specifications.

For the most current Specification Sheet, go to www.kallista.com.

2-16-2025 20:03 - US/CA

KALLISTA

Vir Stil® by Laura Kirar
Wall-Mount Sink Faucet, Lever Handles
P80235-LV



Technical Information

All product dimensions are nominal.

Faucet flow rate: 1.2 gal/min (4.5 l/min)

Drain included: Yes

Drain with overflow: Yes

Spout:

Spout reach: 6-3/8" (162 mm)

Notes

Install this product according to the installation instructions.

ADA, OBC, CSA B651 compliant when installed to the specific requirements of these regulations.