

KALLISTA®

Vir Stil® by Laura Kirar
Single control trim
P80239-LV

Features

- Sleek contemporary design
- High-quality solid-brass construction for durability and reliability
- Maintains water temperature within +/-3 degrees Fahrenheit
- Features a high-temperature-limit stop to help prevent scalding
- Required rough-in sold separately

Required Products/Accessories

P29500-WS Thermostatic rough-in with volume control & stops

or

P19310-00 Pressure Balance Rough-In

Adapters, Rough-in and Extension Kits

1207976.asm Range: 2-3/4" (70 mm) -
3-1/2" (89 mm)

Recommended Products/Accessories

P25656-00 Handshower with Hose
P21676-00 Air-Induction Rain Showerhead
P80234-LV Sink faucet, arch spout, lever handles



ADA

CSA B651

OBC

Codes/Standards

ASME A112.18.1/CSA B125.1

ADA

ICC/ANSI A117.1

CSA B651

OBC

KALLISTA® Five-Year Limited Warranty

See website for detailed warranty information.

Available Colors/Finishes

Color tiles intended for reference only.

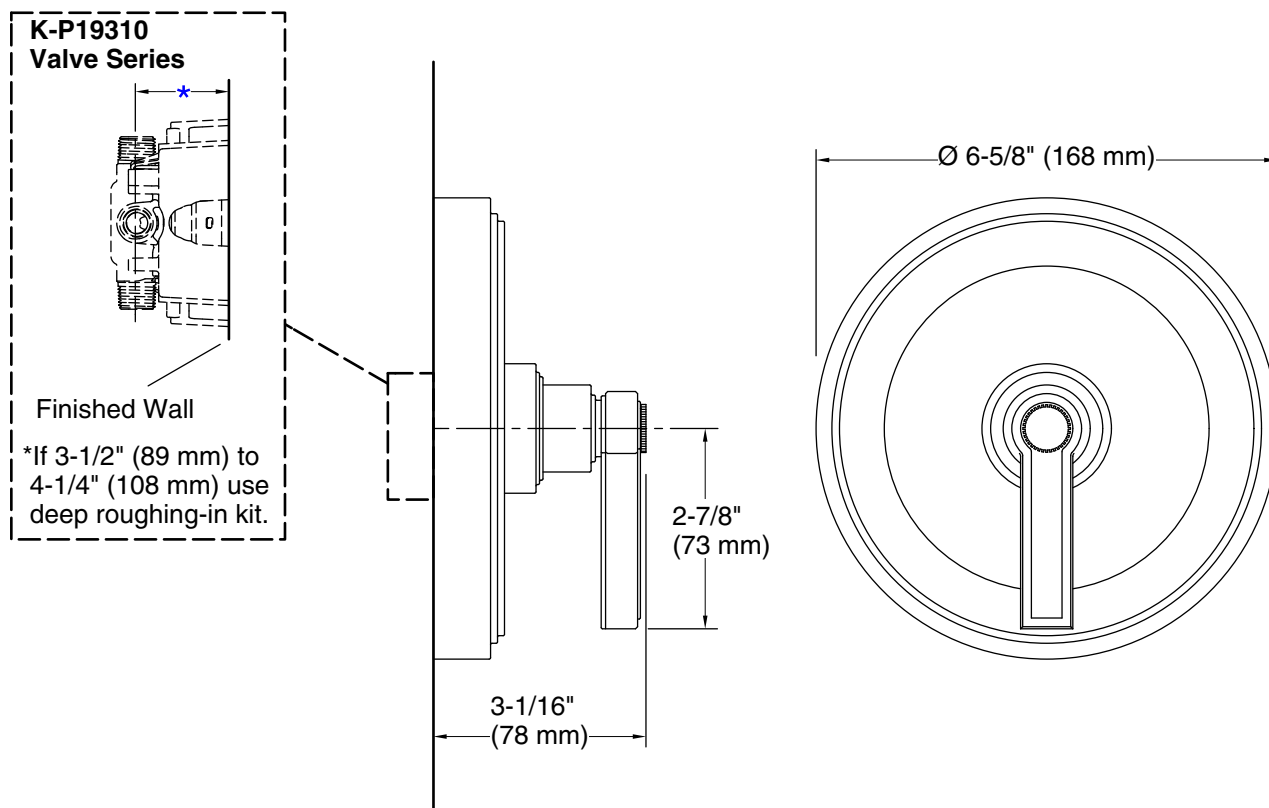
Color	Code	Description
	CP	Polished Chrome
	BN	Brushed Nickel
	BAF	Brushed French Gold
	SN	Polished Nickel

1-888-4-KALLISTA (1-888-452-5547)

Kallista reserves the right to make revisions without notice to product specifications.

For the most current Specification Sheet, go to www.kallista.com.

2-16-2025 20:02 - US/CA



Technical Information

All product dimensions are nominal.

Drain included: No

Notes

Install this product according to the installation instructions.

ADA, OBC, CSA B651 compliant when installed to the specific requirements of these regulations.