

# KALLISTA®

Vir Stil® by Laura Kirar  
Transfer trim  
P80242-LV

## Features

- High-quality solid-brass construction for durability and reliability
- Allows for directed water flow
- Required rough-in sold separately

## Required Products/Accessories

P29513-00 Transfer Valve

or

P29514-00 Transfer Valve, Eco

## Adapters, Rough-in and Extension Kits

1034312.prt

Range: 2-3/4" (70 mm) -  
3-7/8" (99 mm)

## Recommended Products/Accessories

P80234-LV Sink faucet, arch spout, lever handles

P80240-LV Thermostatic trim

P80273-00 Freestanding Bath Faucet, Less Handshower



**ADA**

**CSA B651**

**OBC**

## Codes/Standards

ASME A112.18.1/CSA B125.1

ADA

ICC/ANSI A117.1

CSA B651

OBC

## KALLISTA® Five-Year Limited Warranty

See website for detailed warranty  
information.

## Available Colors/Finishes

*Color tiles intended for reference only.*

| Color   | Code | Description         |
|---|------|---------------------|
|  | CP   | Polished Chrome     |
|  | BAF  | Brushed French Gold |
|  | BN   | Brushed Nickel      |
|  | SN   | Polished Nickel     |

1-888-4-KALLISTA (1-888-452-5547)

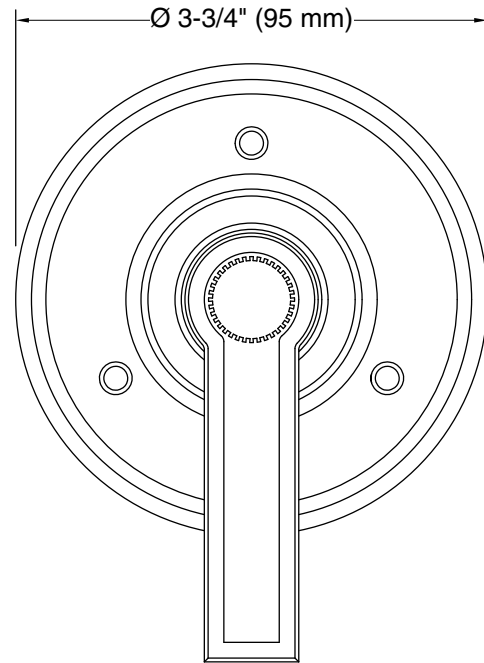
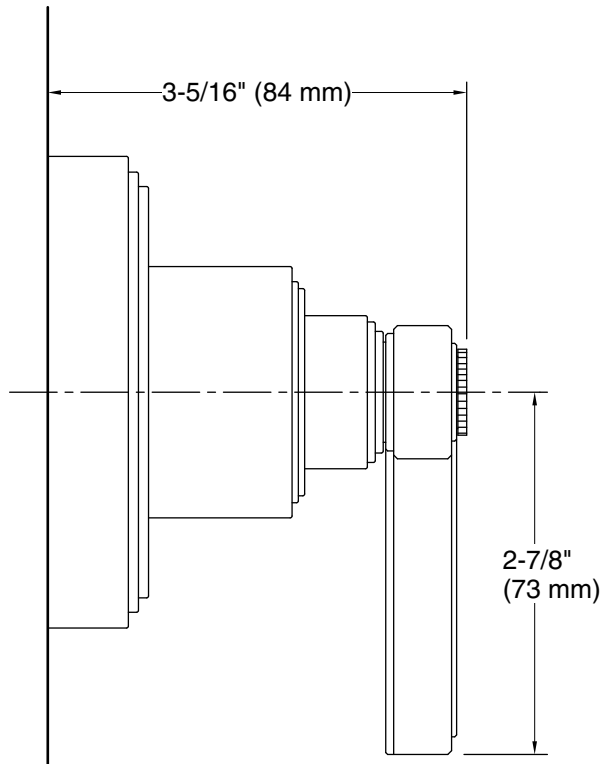
Kallista reserves the right to make revisions without notice to product specifications.

For the most current Specification Sheet, go to [www.kallista.com](http://www.kallista.com).

2-15-2025 22:04 - US/CA

# KALLISTA®

Vir Stil® by Laura Kirar  
Transfer trim  
P80242-LV



## Technical Information

All product dimensions are nominal.

Drain included: No

## Notes

Install this product according to the installation instructions.

ADA, OBC, CSA B651 compliant when installed to the specific requirements of these regulations.