

KALLISTA®

Vir Stil® Minimal by Laura Kirar Thermostatic trim P80255-LV

Features

- Sleek contemporary design
- Precise temperature setting capability
- Required rough-in sold separately
- High-quality solid-brass construction for durability and reliability

Required Products/Accessories

P29511-WS 1/2" Thermostatic Mixing Valve

or

P29512-WS 3/4" Thermostatic Mixing Valve

Adapters, Rough-in and Extension Kits

1170586.ASM

Range: 2-7/16" (62 mm) -
3-3/4" (95 mm)

Recommended Products/Accessories

P80249-LV Sink faucet, arch spout, lever handles

P80256-LV Volume control trim

P80262-00 Towel Bar, 24"



ADA

CSA B651

OBC

Codes/Standards

ASME A112.18.1/CSA B125.1

ADA

ICC/ANSI A117.1

CSA B651

OBC

KALLISTA® Five-Year Limited Warranty

See website for detailed warranty
information.

Available Colors/Finishes

Color tiles intended for reference only.

Color	Code	Description
	CP	Polished Chrome
	BAF	Brushed French Gold
	SN	Polished Nickel
	BN	Brushed Nickel

1-888-4-KALLISTA (1-888-452-5547)

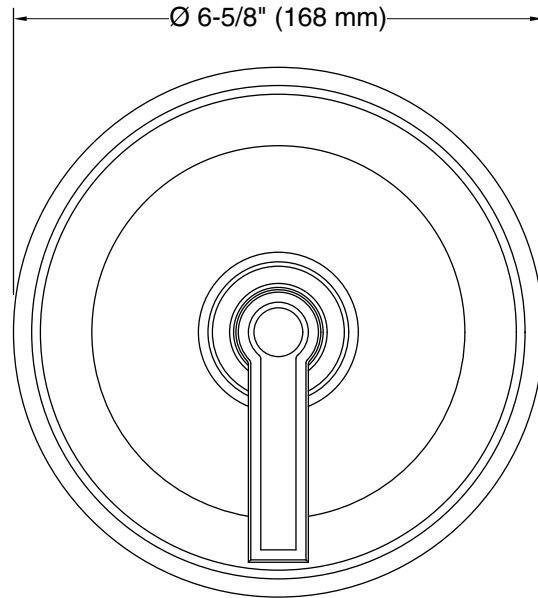
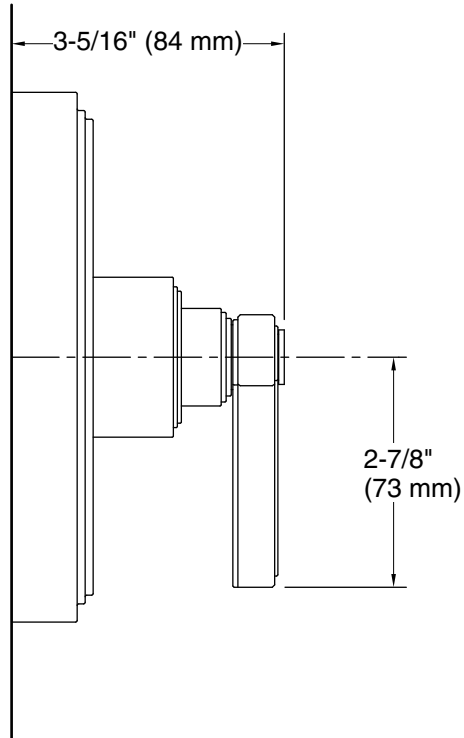
Kallista reserves the right to make revisions without notice to product specifications.

For the most current Specification Sheet, go to www.kallista.com.

2-16-2025 19:59 - US/CA

KALLISTA.

Vir Stil® Minimal by Laura Kirar
Thermostatic trim
P80255-LV



Technical Information

All product dimensions are nominal.

Drain included: No

Notes

Install this product according to the installation instructions.

ADA, OBC, CSA B651 compliant when installed to the specific requirements of these regulations.