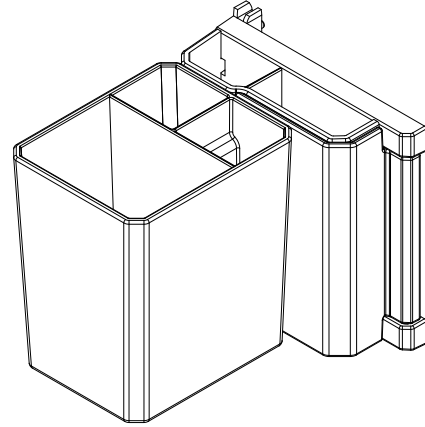


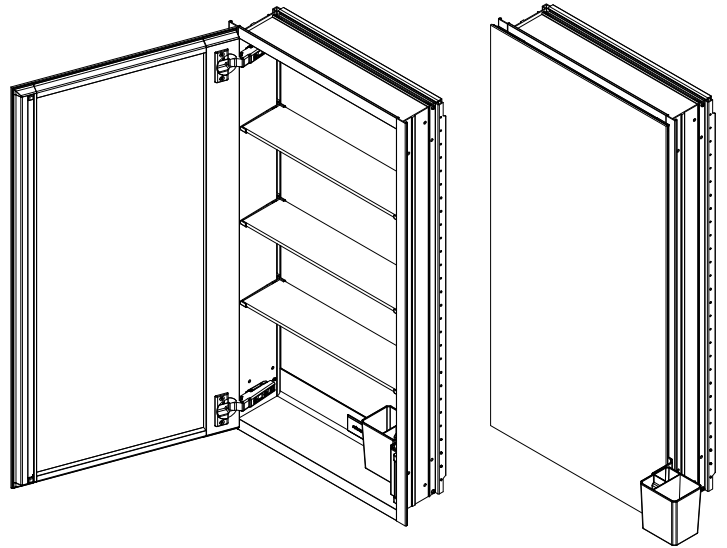
Features

- 180 degree swinging storage accessory
- 2 fixed storage compartments and 3 adjustable storage compartments
- Caddy can be used with door open or closed
- Left or Right hand configurable
- Height adjustable in 1" increments
- Mounts using shelf clip channel
- Main compartment slides on/off for easy cleaning and configurability



Compatibility

- PL PORTRAY (does not interfere with ganged cabinets or lights)
- Complete and secure door closure when caddy is fully extended outside cabinet



Dimension Views

