

### WALL HUNG TOILET WITH SEAT K-22753K

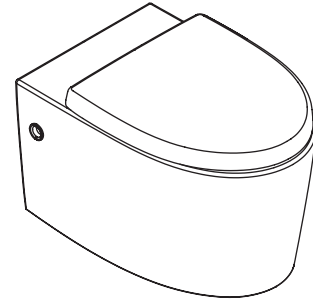
#### Features

- Vitreous china
- European bowl
- Includes quiet close seat
- Wash down flushing system
- 211 mm rough-in for P-trap
- Not included S-trap and P-trap connector
- 565 x 373 x 387 mm

#### Codes/Standards Applicable

Specified model meets or exceeds the following:

- AS 1172
- BS:EN 997
- GB 6952
- PNS 156
- MS 1552
- SNI 03-0797
- SS 574
- TIS 792
- ASME A112.19.2/CSA B45.1



#### Technical Information

Fixture:	
Configuration	Wall hung, european
Water per flush	2.6/4, 3/4.5 or 3/6 liter
Passageway	51 mm
Water area	130 x 100 mm
Water depth from rim	218 mm
Seat post hole centers	150 mm
*Designed to flush with 2.6/4, 3/4.5 or 3/6 lpf water when install with a 2.6/4, 3/4.5 or 3/6 lpf valve.	

Include Components:	
Bowl	K-22754K
Quiet close seat (for K-22753K)	K-75200K

#### Installation Notes

Install this product according to the installation guide.

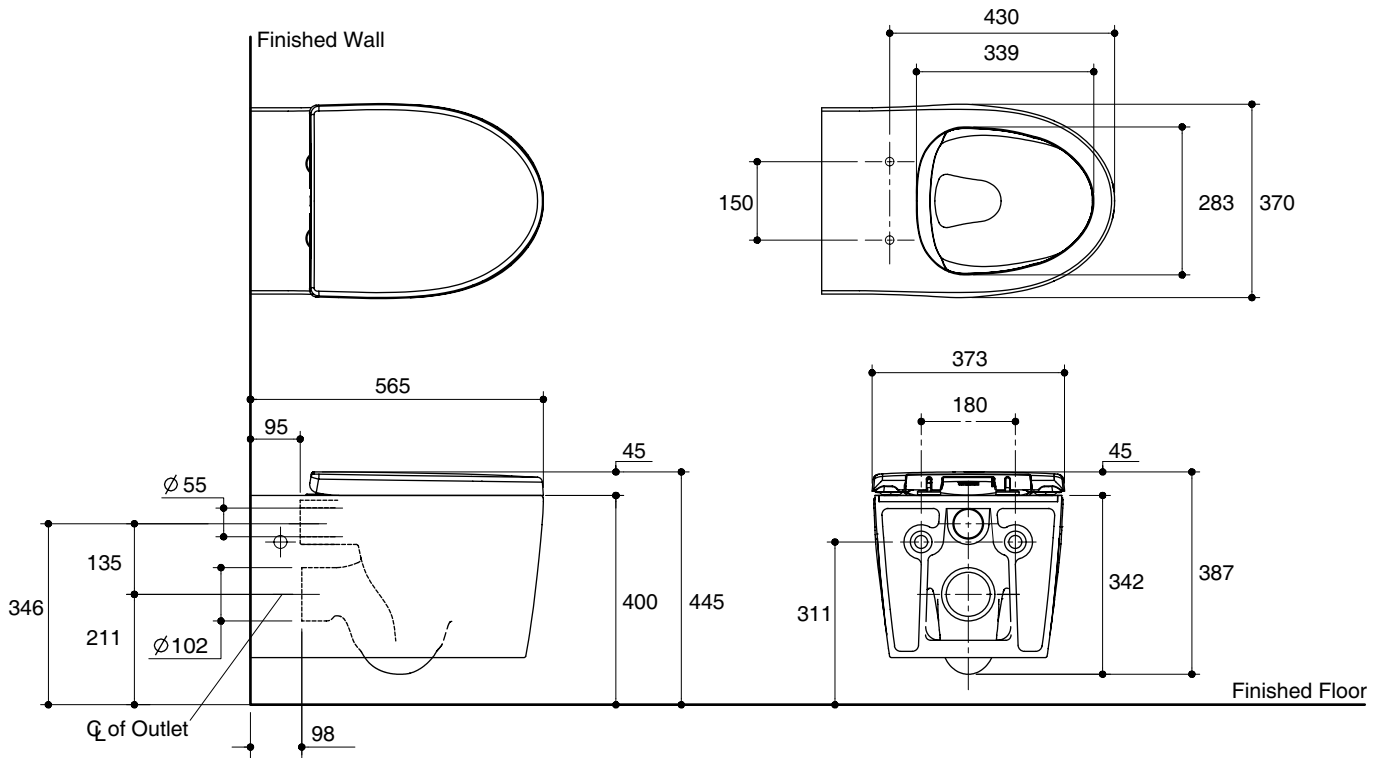
#### Specified Model

Model	Description	Color/Finished
K-22753K	Parliament Grande wall hung toilet with quiet close seat	0: White

Recommended Accessories		
K-10611A	In-wall tank with cover plate 3/4.5 lpf	
K-10611T	In-wall tank with cover plate 3/4.5 lpf	
K-20006T-PNE	Hydro-Tower 200 pne iwt 2.6/4L	
K-20006K-PNE	Hydro-Tower 200 pne iwt 2.6/4L	
K-20009T-PNE	Hydro-Tower 300 pne iwt 2.6/4L	
K-20009K-PNE	Hydro-Tower 300 pne iwt 2.6/4L	
K-20007T-PNE	Hydro-Tower 200 pne iwt 3/4.5L	
K-20007K-PNE	Hydro-Tower 200 pne iwt 3/4.5L	
K-20010T-PNE	Hydro-Tower 300 pne iwt 3/4.5L	
K-20010K-PNE	Hydro-Tower 300 pne iwt 3/4.5L	
K-20008T-PNE	Hydro-Tower 200 pne iwt 3/6L	
K-20008K-PNE	Hydro-Tower 200 pne iwt 3/6L	
1138552	P-trap connector	

# PARLIAMENT GRANDE

Dimensions are approximate.  
Unit: mm



Note: The recommended dimension for installation can be adjusted according to user preferences and layout  
Kohler Co. reserves the right to make changes in product characteristics, packaging, or availability at anytime without notice.

## Product Diagram