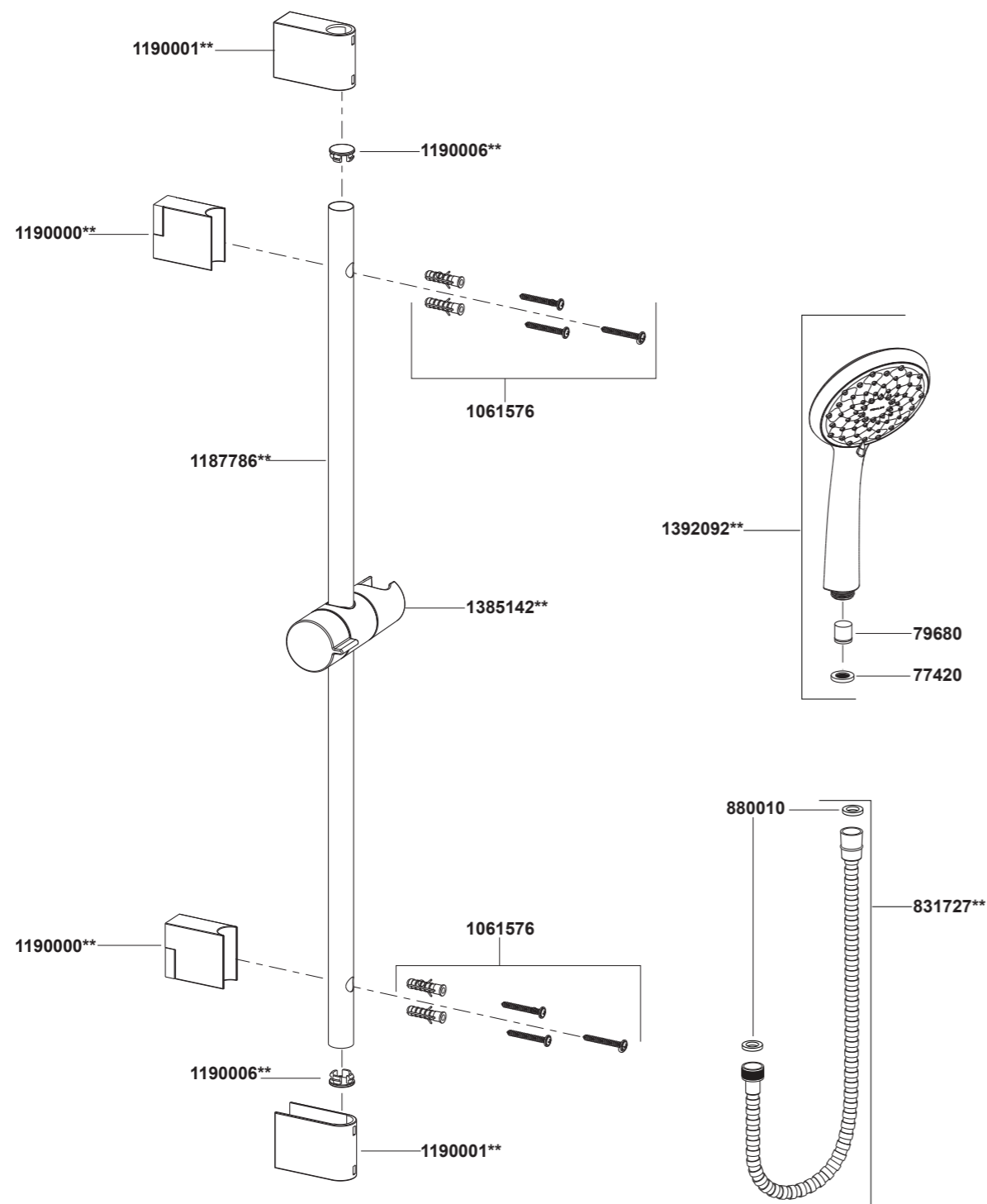


R99969T Multi Function Hand Shower With Slide Bar



**Color code must be specified when ordering.

R99969T Multi Function Hand Shower With Slide Bar

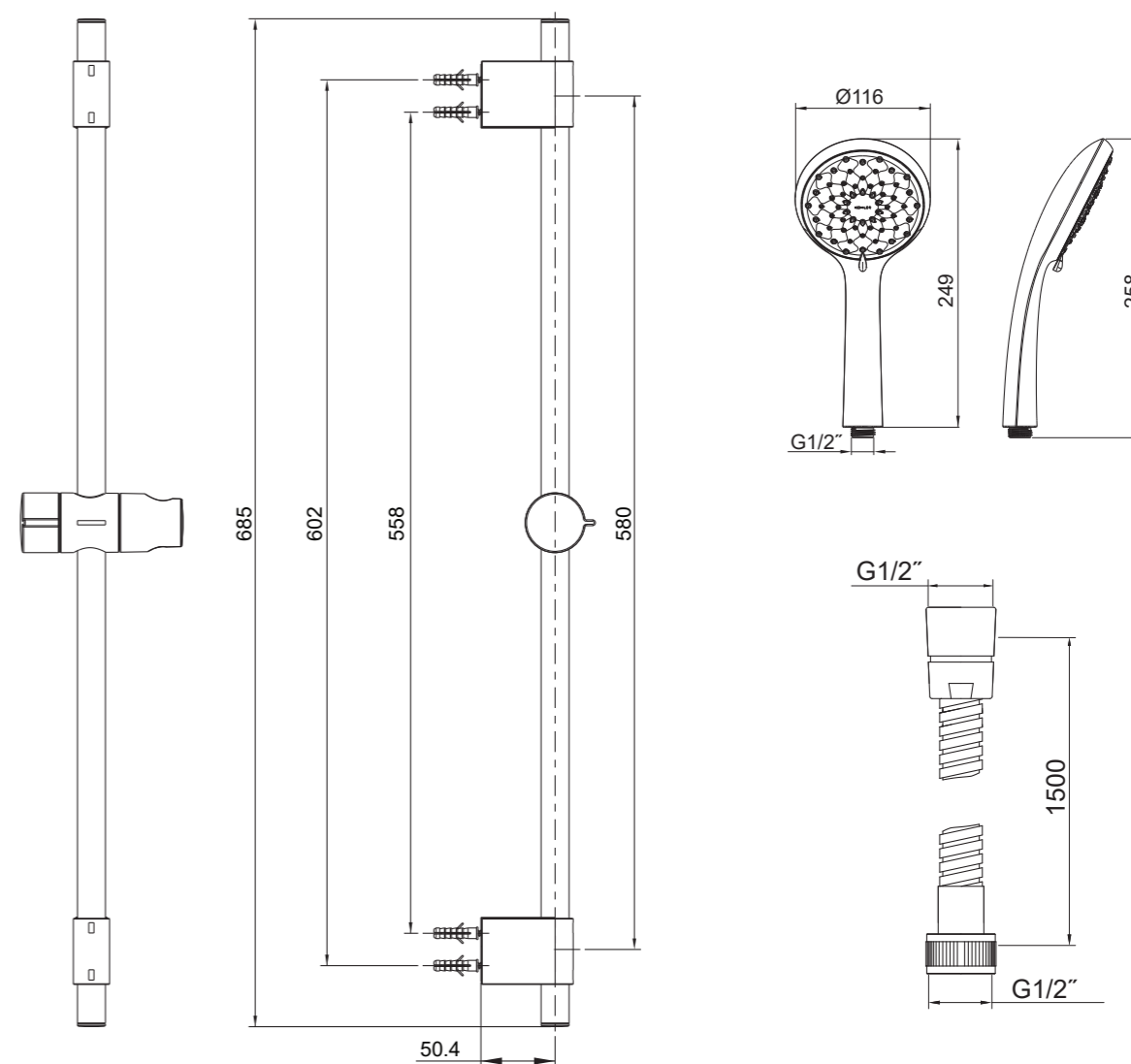
BEFORE YOU BEGIN

All information is based on the latest product information available at the time of publication. Kohler Co. reserves the right to make changes in product characteristics, packaging, or availability at any time without notice. Please leave these instructions for the consumer. They contain important information.

NOTES:

1. Observe local plumbing codes.
2. The highest working pressure for handspray is 0.5MPa(5 bar). If it exceeds 0.5MPa(5 bar), a pressure reducer is needed. The highest water and environment temperature is 60°C. Please keep handspray, showerhead and the shower arm away from heater, or it may become damaged and cause injury to the user.

ROUGH-IN DIMENSIONS



INSTALLATION

How to Install the Slide Bar

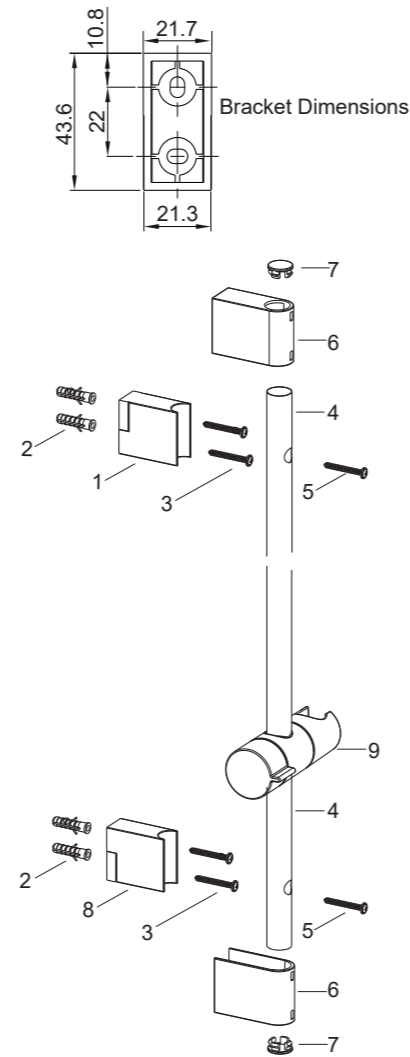
Decide on a suitable position for the slide bar avoiding buried cables and pipes in the wall.

Drill two holes at the proper height in the wall as the bracket(1,8) dimensions. Put anchors(2) into the holes. Install the bracket(1) with screws(3) in the wall.

Rehearse the slide bar(4), screws(5) and bracket(8). Mark the outline of the bracket with a pencil on the wall, and find the position of the holes. Drill two holes and put anchors(2) into the holes. Install the bracket(8) with screws(3) in the wall.

Slide the handspray holder(9) onto the bar(4). Adjust the holder to the proper position. Tighten the slide bar kit with screws(5).

Slide the bracket covers(6) onto the slide bar, and install the covers(7).



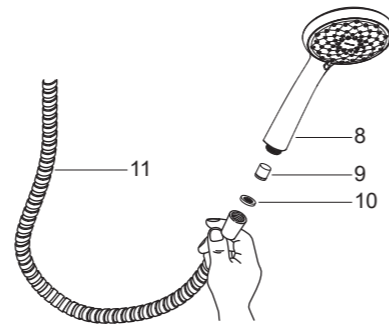
How to Install the Hand Shower And Hose

Flush both water supply for about one minute before the hand shower(8) is installed.

Install check valve(9) into the shower inlet if needed. Put the screen washer(10) into the shower hose(11) connector. Attach the hand shower to shower hose.
Note: Don't over tighten.

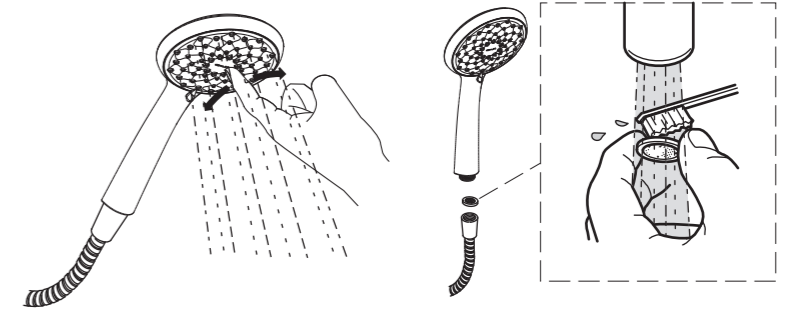
Connect another end of shower hose to the water supply.

Hang the hand shower on the bracket.



How to Operate the Hand Shower

Rotate the knob of the hand shower to change the water flow.



How to Maintain the Hand Shower

Any debris or mineral build-up may cause the flow stream to become distorted or reduce the flow rate. To remove the debris or mineral build-up, run water through the hand shower, firmly press or rub your finger back and forth across the rubber nozzles.

Remove and clean the screen washer.

CLEANING INSTRUCTIONS

All Finishes: Clean the finish with mild soap and warm water. Wipe entire surface completely dry with clean soft cloth. Many cleaners may contain chemicals, such as ammonia, chlorine, toilet cleaner etc, which could adversely affect the finish and are not recommended for cleaning.

Do not use abrasive cleaners or solvents on Kohler faucets and fittings.