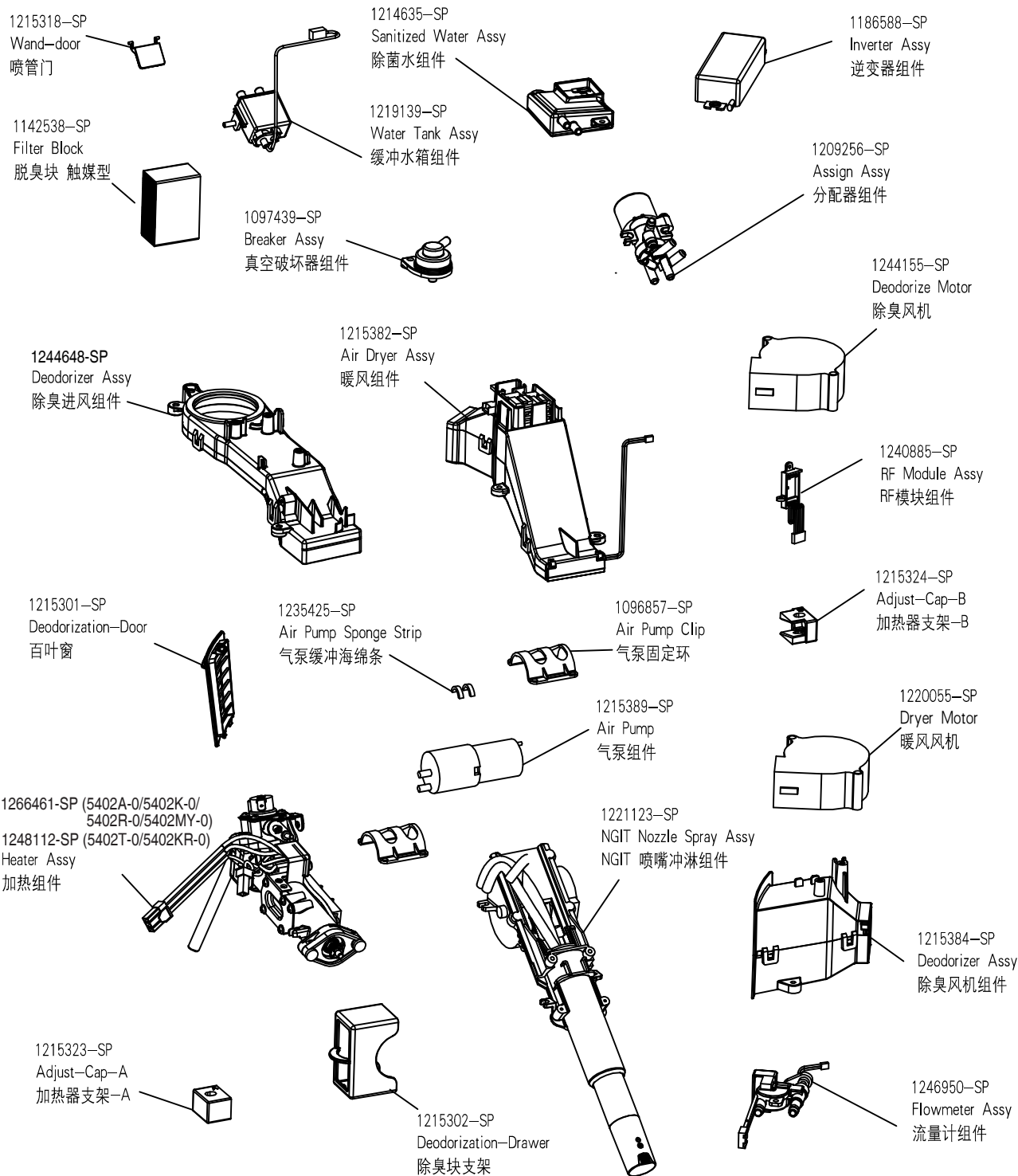


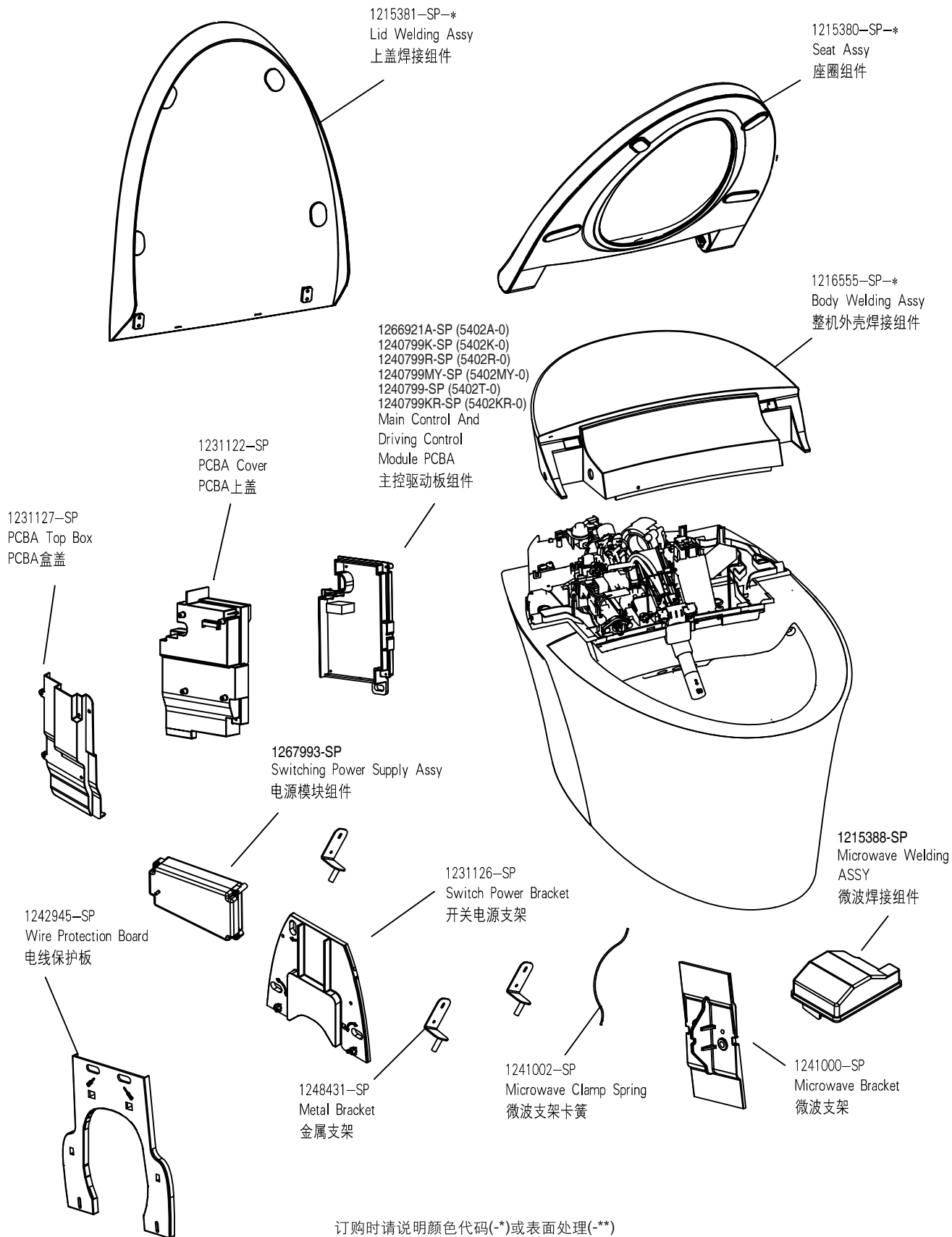
订购时请说明颜色代码(\*)或表面处理(\*\*)  
Color code (\*) or finish (\*\*) must be specified when ordering.  
盖板的维修零件请详见盖板的维修零件图。

Please refer to service parts page packed with seat for detailed seat service parts.



订购时请说明颜色代码(\*)或表面处理(\*\*)  
Color code (\*) or finish (\*\*) must be specified when ordering.  
盖板的维修零件请详见盖板的维修零件图。

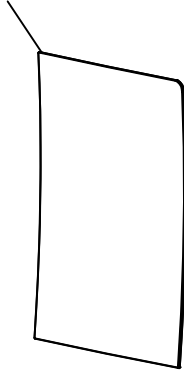
Please refer to service parts page packed with seat for detailed seat service parts.



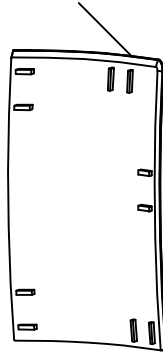
订购时请说明颜色代码(-\*)或表面处理(-\*\*)   
Color code (-\*) or finish (-\*\*) must be specified when ordering.   
盖板的维修零件请详见盖板的维修零件图。

Please refer to service parts page packed with seat for detailed seat service parts.

1230937-SP  
Side Panel, Left  
陶瓷左侧板



1230938-SP  
Side Panel, Right  
陶瓷右侧板



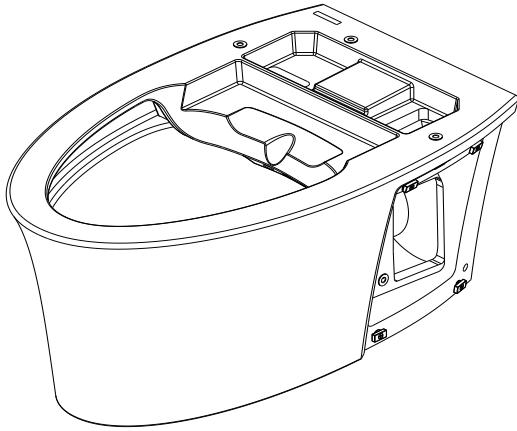
1244642-SP  
Inlet Valve  
进水角阀



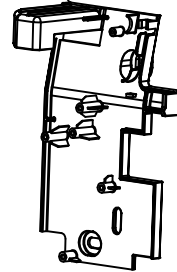
1261679-SP (5402A-0)  
Double Check Valve  
双止回阀



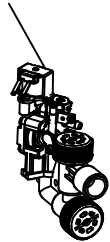
1261680-SP (5402A-0)  
Gasket  
橡胶垫圈



1231120-SP  
Valve Bracket  
进水阀支架



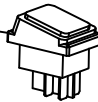
1244676-SP  
Inlet Valve Assy  
Bidet 进水阀组件



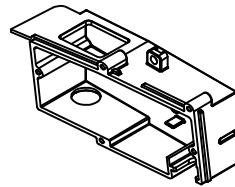
1214964-SP  
Magnet  
磁铁



1237271-SP  
Power Switch Button  
电源开关按钮



1235341-SP  
Connect box-base  
接线盒底座

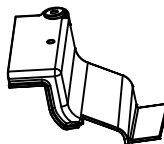
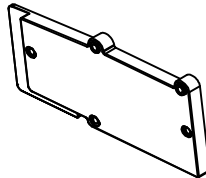


1262826-SP (5402A-0)

1249310-SP (5402T-0/5402K-0/  
5402R-0/5402KR-0/5402MY-0)

Protective Plate  
电线挡板

1235340-SP  
Connect box-cover  
接线盒盖



1235343-SP  
Protection Ring  
进出线橡胶保护套



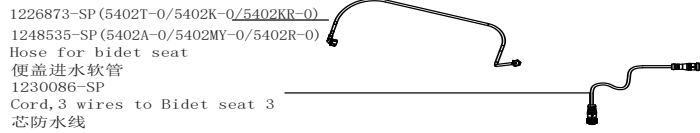
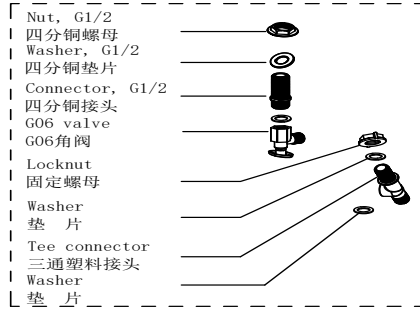
1237272-SP  
Terminal Blocks Platform  
接线端子台



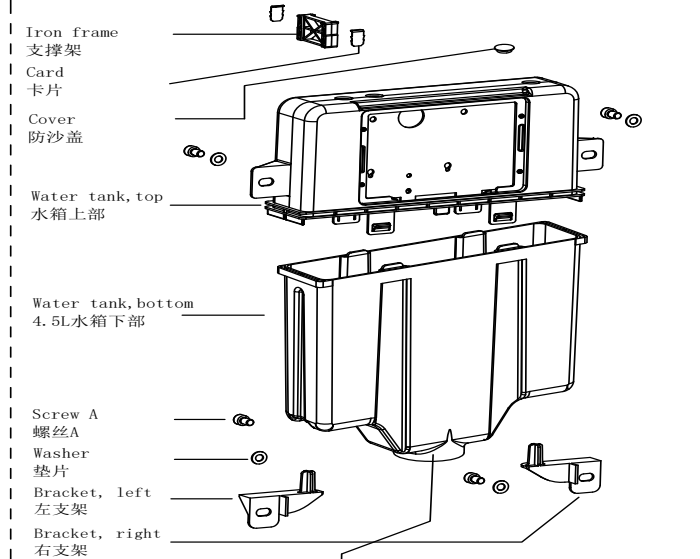
订购时请说明颜色代码(\*)或表面处理(\*\*)  
Color code (\*) or finish (\*\*) must be specified when ordering.  
盖板的维修零件请详见盖板的维修零件图。

Please refer to service parts page packed with seat for detailed seat service parts.

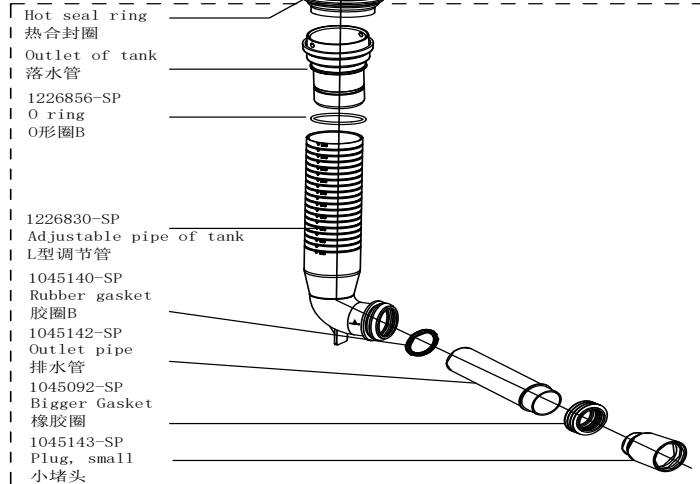
**Inlet mounting kit**  
进水安装组件



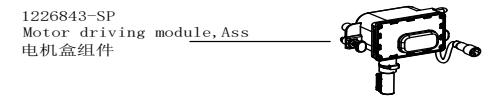
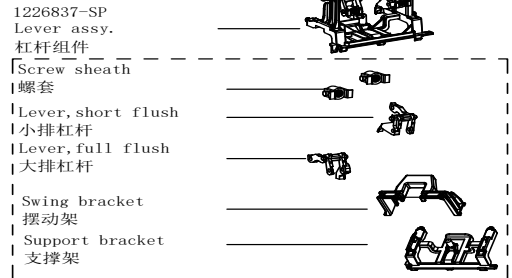
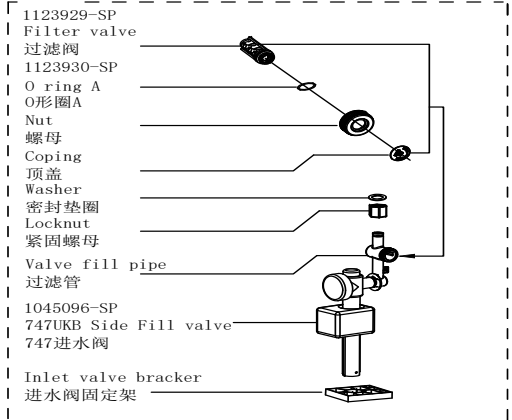
**Plastic tank assy.**  
塑料水箱组件



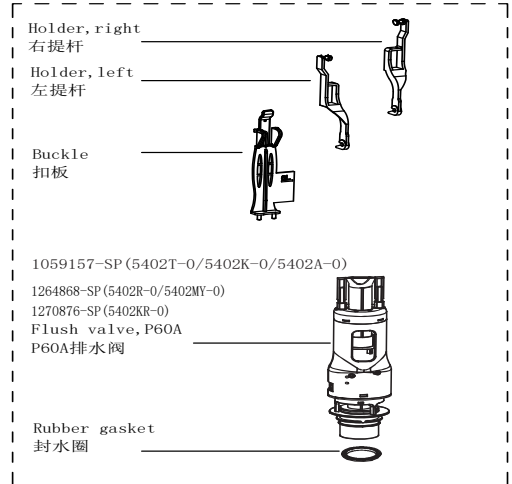
**Outlet pipe assy.**  
冲水管组件



1112171-SP (5402T-0/5402K-0/5402KR-0/5402A-0)  
1264865-SP (5402R-0/5402MY-0)  
进水阀组件



**Flush valve assy.**  
排水系统组件

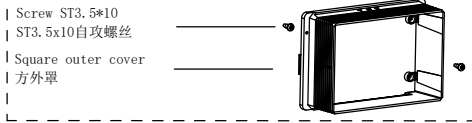


订购时请说明颜色代码(\*)或表面处理(\*\*)  
Color code (\*) or finish (\*\*) must be specified when ordering.  
盖板的维修零件请详见盖板的维修零件图。

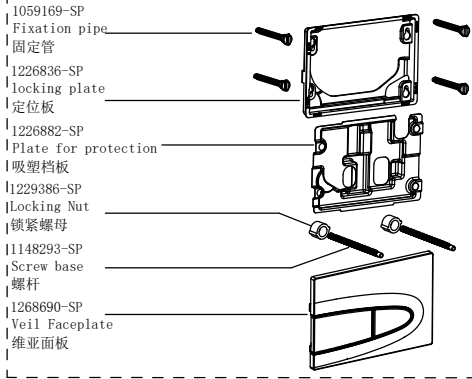
Please refer to service parts page packed with seat for detailed seat service parts.

1247367-T8-E

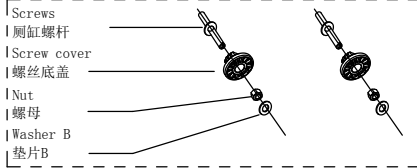
1229385-SP  
Square mask assy.  
方外罩组件



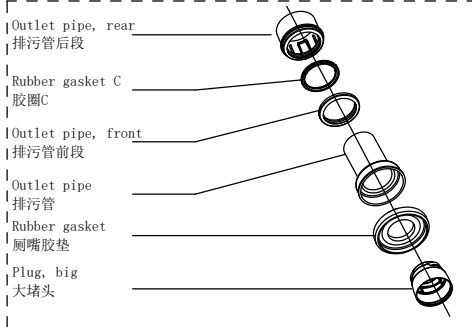
1268687-SP  
Veil in wall tank faceplate  
维亚隐藏水箱面板



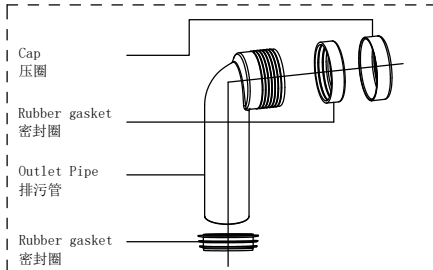
1247203-SP  
Assembly kit for wall-hung bowl  
厕缸螺丝组件



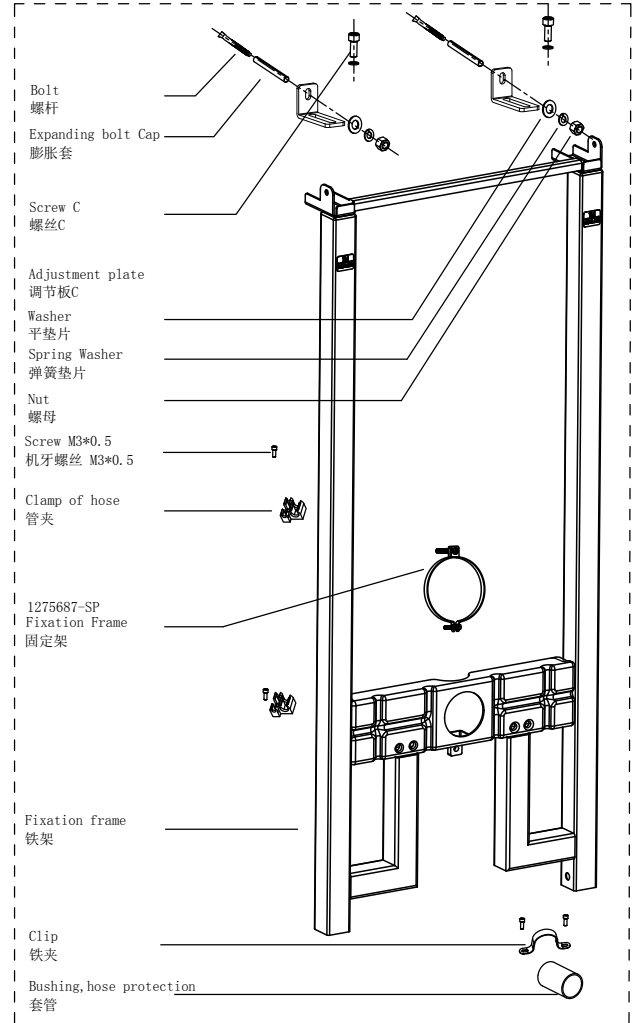
1045169-SP  
Outlet pipe assy.  
排水组件



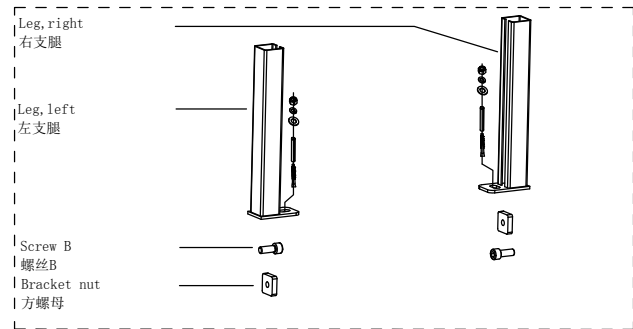
1148294-SP  
Waste pipe assy.  
排污管组件



Fixation frame assy.  
铁架组件

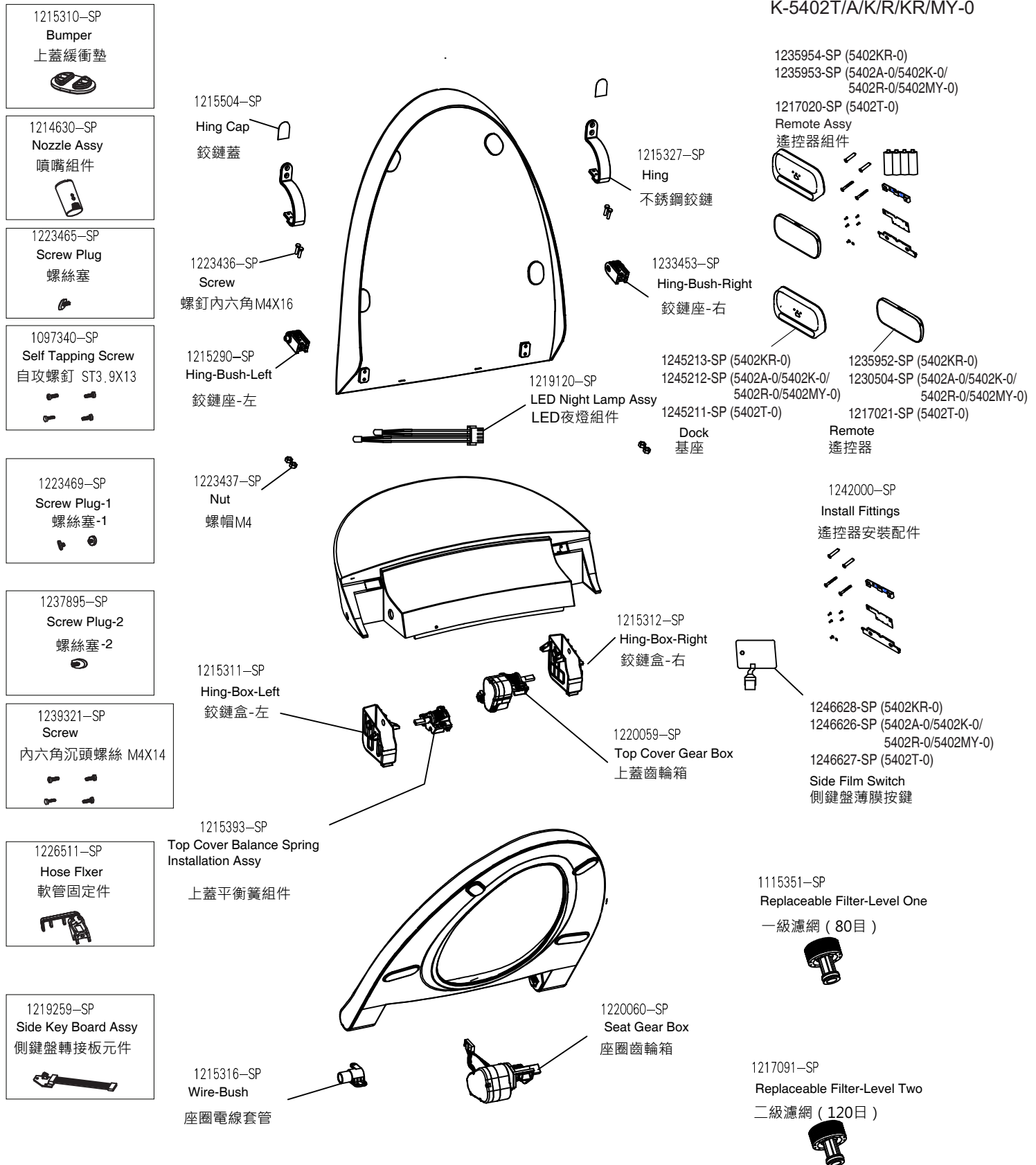


Mechanical kit for fixation with floor  
支腿组件



Interior Hexagon Wrench  
六角扳手

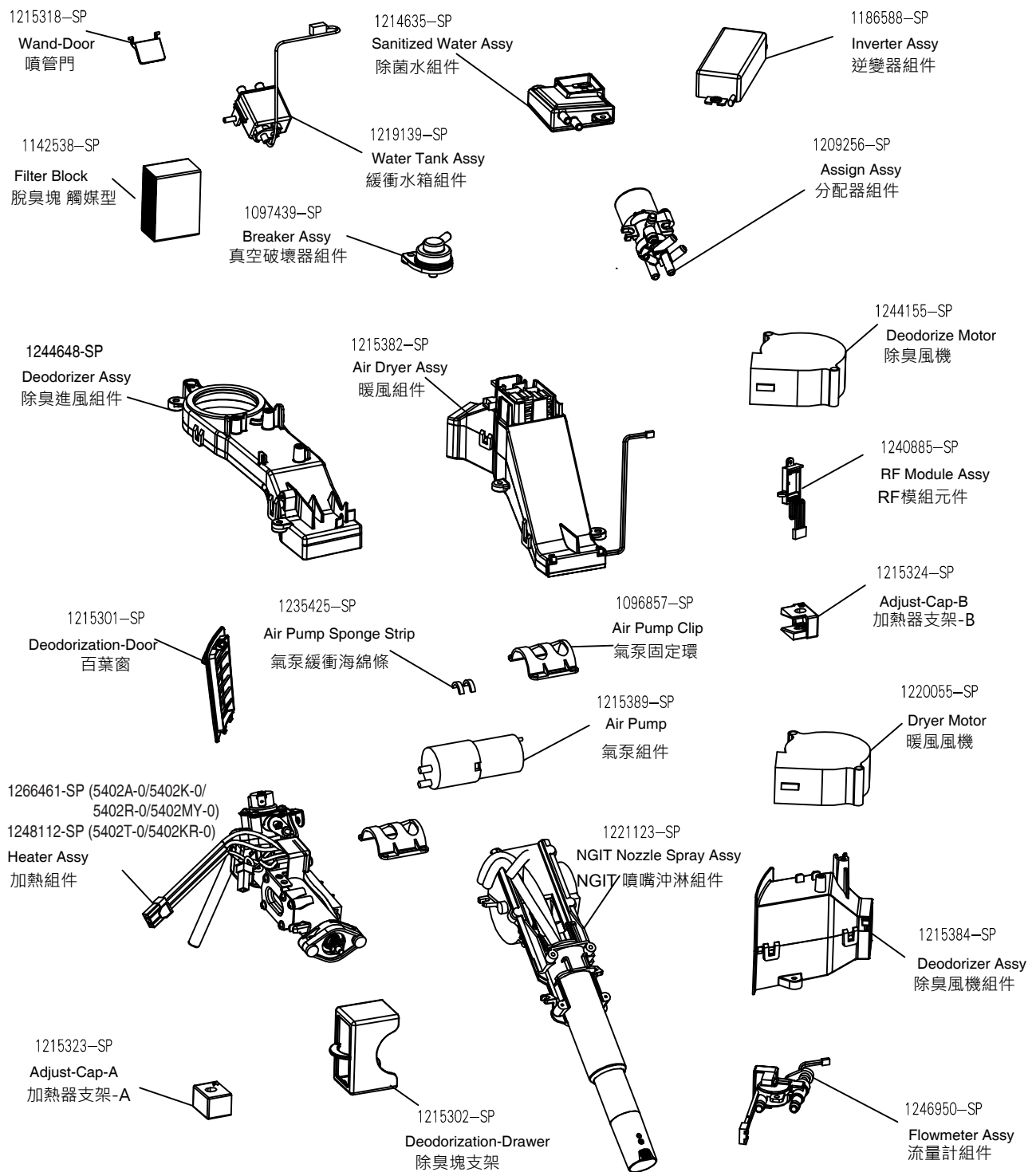
订购时请说明颜色代码(\*)或表面处理(\*\*)  
Color code (\*) or finish (\*\*) must be specified when ordering.  
盖板的维修零件请详见盖板的维修零件图。



訂購時請說明顏色代碼 (-\*) 或表面處理 (-\*\*)   
Color code (-\*) or finish (-\*\*) must be specified when ordering.

蓋板的維修零件請詳見蓋板的維修零件圖

Please refer to service parts page packed with seat for detailed seat service parts.



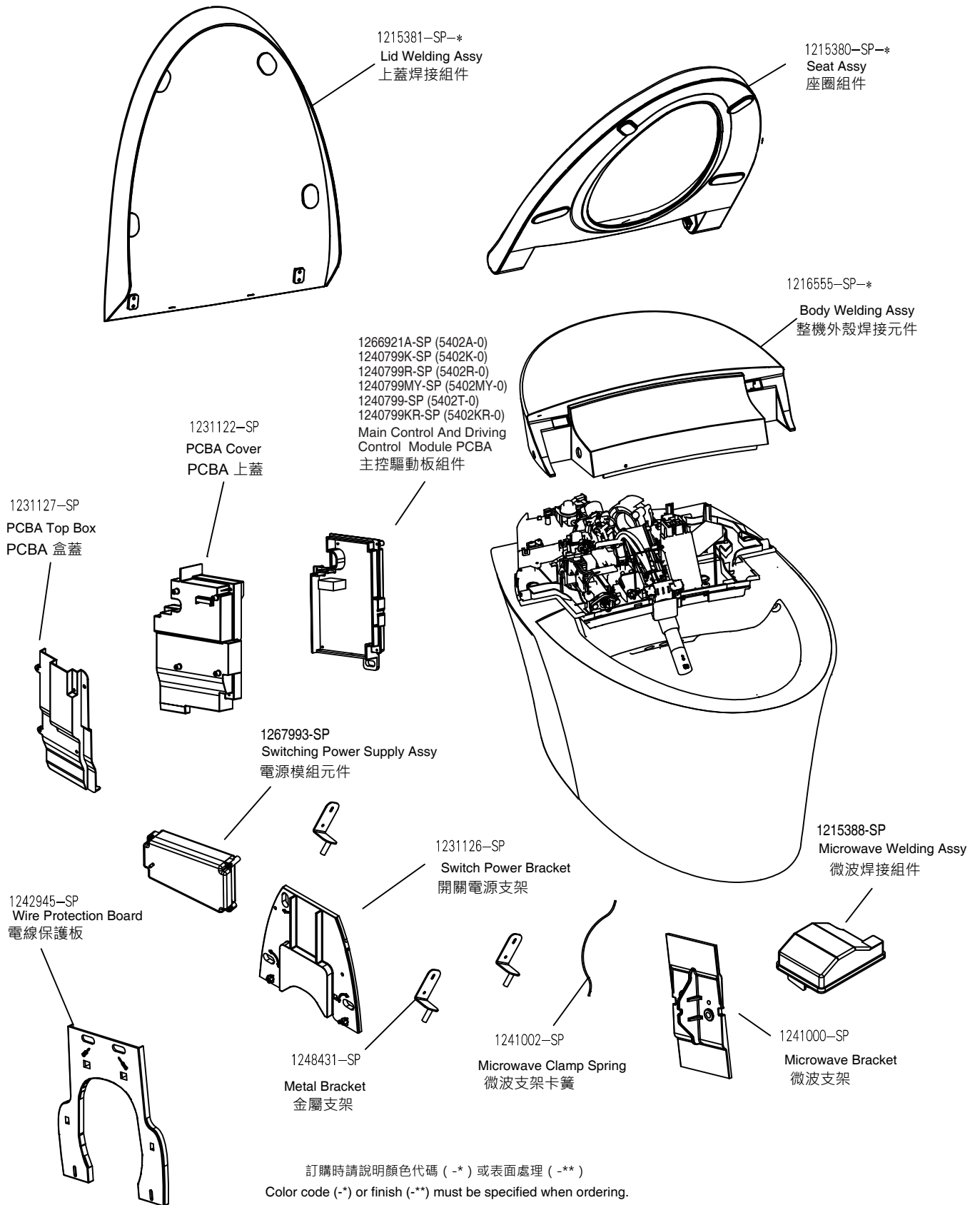
訂購時請說明顏色代碼 (-\*) 或表面處理 (-\*\*)

Color code (-\*) or finish (-\*\*) must be specified when ordering.

蓋板的維修零件請詳見蓋板的維修零件圖

Please refer to service parts page packed with seat for detailed seat service parts.





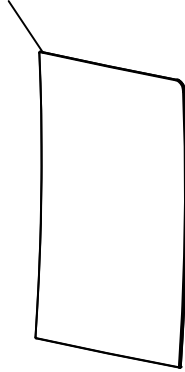
訂購時請說明顏色代碼 (-\*) 或表面處理 (-\*\*)

Color code (-\*) or finish (-\*\*) must be specified when ordering.

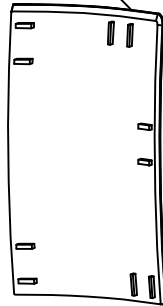
蓋板的維修零件請詳見蓋板的維修零件圖

Please refer to service parts page packed with seat for detailed seat service parts.

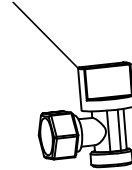
1230937-SP  
Side Panel Left  
陶瓷左側板



1230938-SP  
Side Panel Right  
陶瓷右側板



1244642-SP  
Inlet Valve  
進水角閥



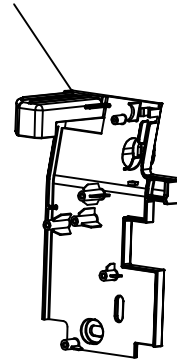
1261679-SP (5402A-0)  
Double Check Valve雙  
止回閥



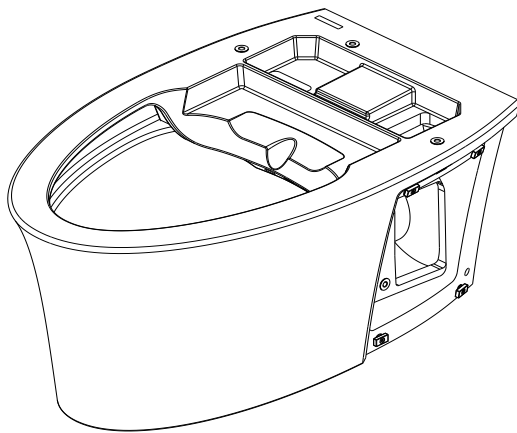
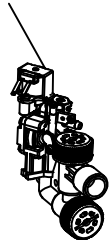
1261680-SP (5402A-0)  
Gasket  
橡膠墊圈



1231120-SP  
Valve Bracket  
進水閥支架



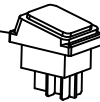
1244676-SP  
Inlet Valve Assy  
BIDET進水閥組件



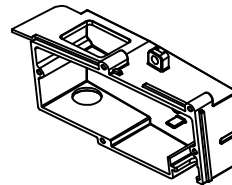
1214964-SP  
Magnet  
磁鐵



1237271-SP  
Power Switch Button  
電源開關按鈕



1235341-SP  
Connect Box -Base  
接線盒底座

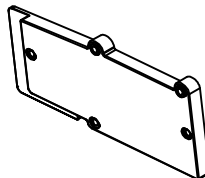


1262826-SP (5402A-0)

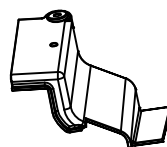
1249310-SP (5402T-0/5402K-0/  
5402R-0/5402KR-0/5402MY-0)

Protective Plate  
電線檔板

1235340-SP  
Connect Box -Cover  
接線盒蓋



1235343-SP  
Protection Ring  
進出線橡膠保護套



1237272-SP  
Terminal Blocks Platform  
接線端子台

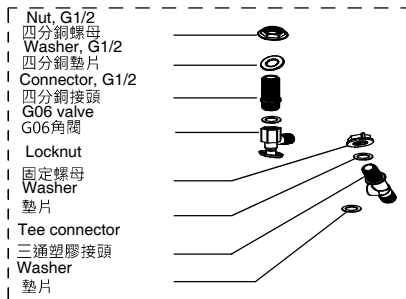


訂購時請說明顏色代碼 (-\*) 或表面處理 (-\*\*)   
Color code (-\*) or finish (-\*\*) must be specified when ordering.

蓋板的維修零件請詳見蓋板的維修零件圖

Please refer to service parts page packed with seat for detailed seat service parts.

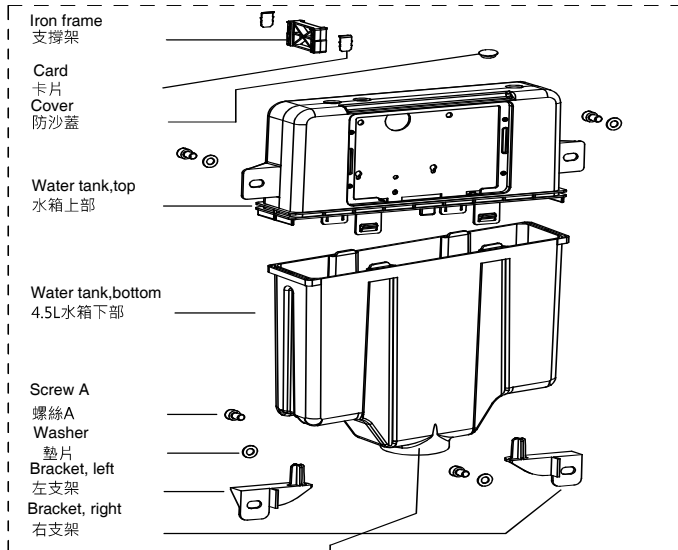
**Inlet mounting kit**  
進水安裝組件



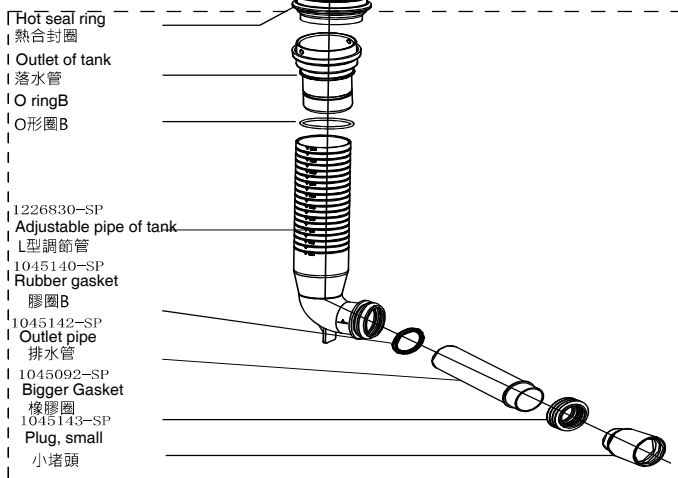
1226873-SP (5402T-0/5402K-0/5402KR-0)  
1248535-SP (5402A-0/5402R-0/5402MY-0)

**Hose for bidet seat**  
便蓋進水軟管  
1230086-SP  
**Cord, 3 wires to Bidet seat**  
3芯防水線

**Plastic tank assy.**  
塑膠水箱組件

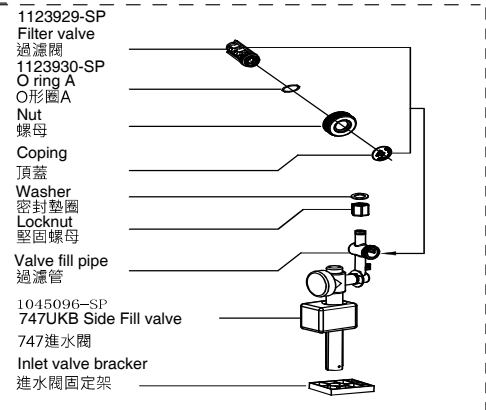


**沖水管組件 Outlet pipe assy**

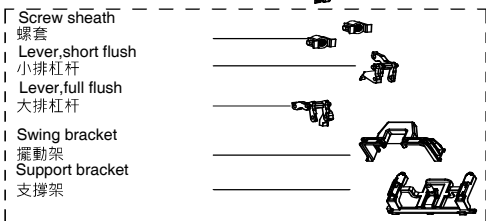


1112171-SP (5402T-0/5402K-0/5402KR-0/5402A-0)  
1264865-SP (5402R-0/5402MY-0)

**Fill valve assy.**  
進水閥組件



1226837-SP  
**Lever assy.**  
杠杆組件

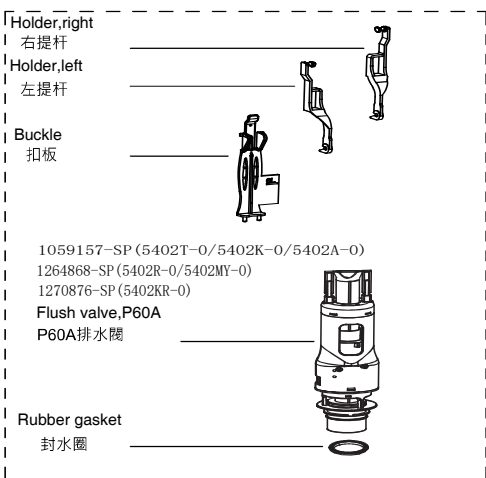


1226843-SP  
**Motor driving module, Ass.**  
電機盒組件



**Flush valve assy.**

排水系統元件

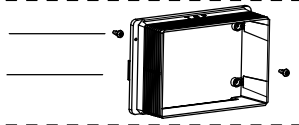


订购时请说明颜色代码(-\*)或表面处理(-\*\*)   
Color code (-\*) or finish (-\*\*) must be specified when ordering.   
盖板的维修零件请详见盖板的维修零件图。

Please refer to service parts page packed with seat for detailed seat service parts.

1229385-SP  
Square mask assy.  
方外罩组件

Screw ST3.5\*10  
ST3.5\*10 自攻螺丝  
Square outer cover  
方外罩



1268687-SP  
Veil in wall tank faceplate  
维亚隐藏水箱面板

1059169-SP  
Fixation pipe  
固定管

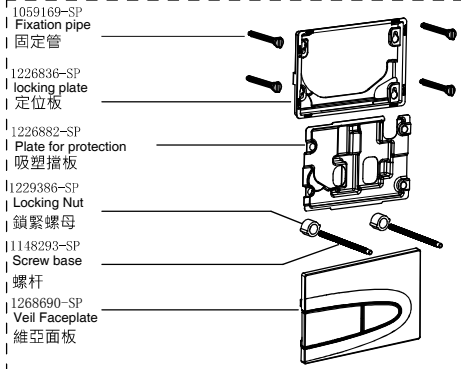
1226836-SP  
locking plate  
定位板

1226882-SP  
Plate for protection  
吸塑挡板

1229386-SP  
Locking Nut  
锁紧螺母

1148293-SP  
Screw base  
螺杆

1268690-SP  
Veil Faceplate  
维亚面板



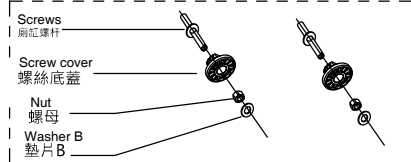
1247203-SP  
Assembly kit for wall-hung bowl  
厕缸螺丝组件

Screws  
厕缸螺絲

Screw cover  
螺絲底蓋

Nut  
螺母

Washer B  
墊片B



1045169-SP  
Outlet pipe assy.  
排水组件

Outlet pipe, rear  
排水管後段

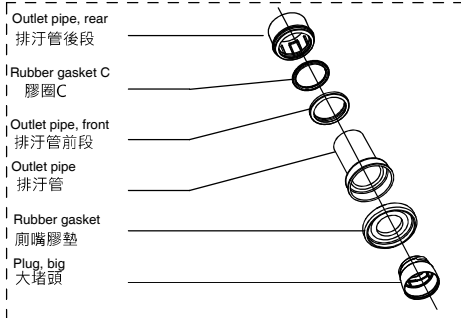
Rubber gasket C  
膠圈C

Outlet pipe, front  
排水管前段

Outlet pipe  
排水管

Rubber gasket  
廁嘴膠墊

Plug, big  
大堵頭



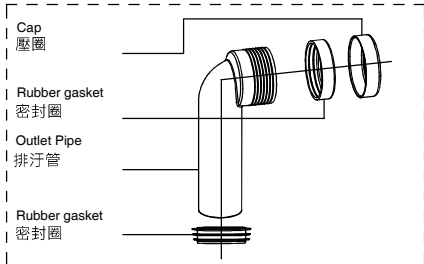
1148294-SP  
Waste pipe assy.  
排污管组件

Cap  
壓圈

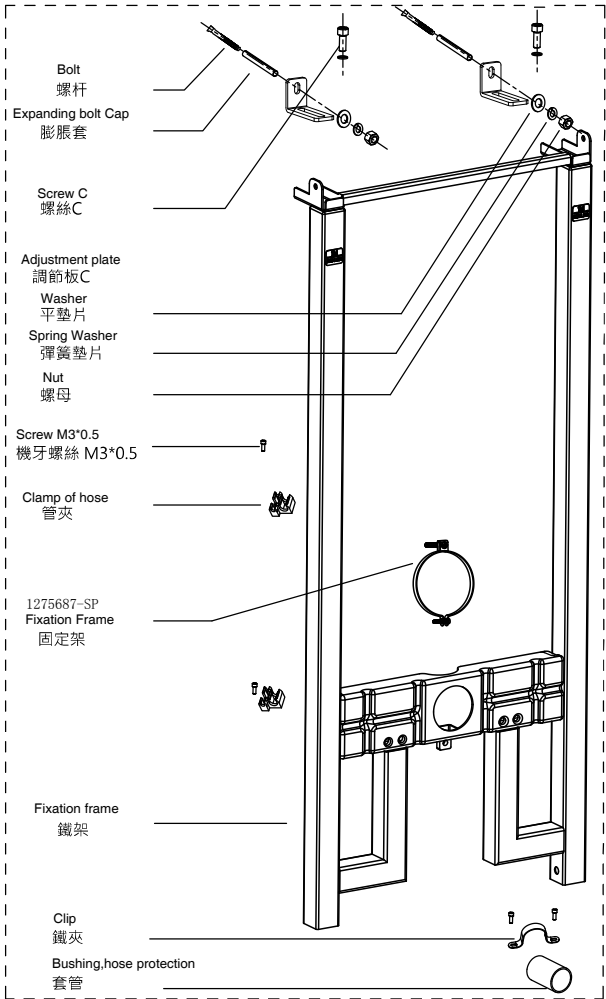
Rubber gasket  
密封圈

Outlet Pipe  
排污管

Rubber gasket  
密封圈



Fixation frame assy.  
鐵架组件



Bolt  
螺絲

Expanding bolt Cap  
膨脹套

Screw C  
螺絲C

Adjustment plate  
調節板C

Washer  
平墊片

Spring Washer  
彈簧墊片

Nut  
螺母

Screw M3\*0.5  
機牙螺絲 M3\*0.5

Clamp of hose  
管夾

1275687-SP  
Fixation Frame  
固定架

Fixation frame  
鐵架

Clip  
鐵夾

Bushing, hose protection  
套管

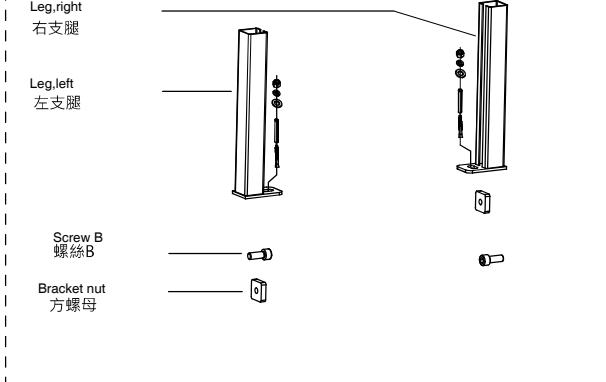
Mechanical kit for fixation with floor  
支腿组件

Leg, right  
右支腿

Leg, left  
左支腿

Screw B  
螺絲B

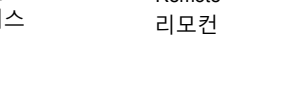
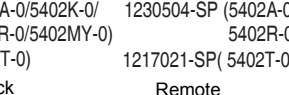
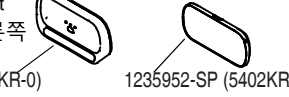
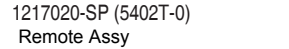
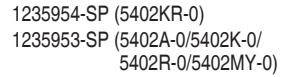
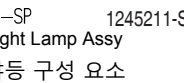
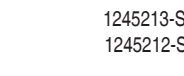
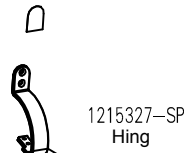
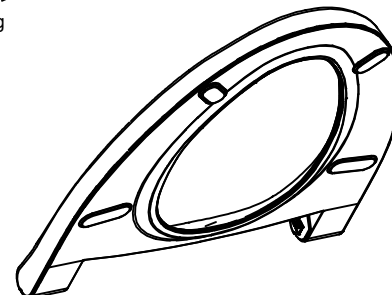
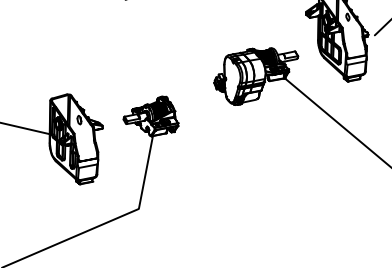
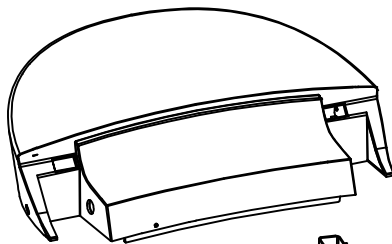
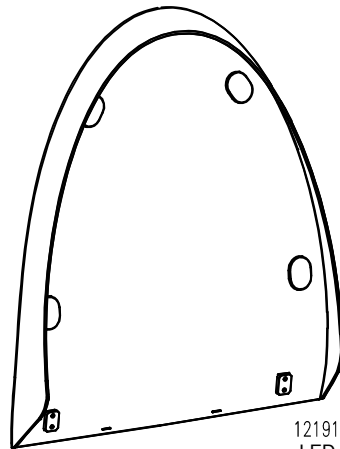
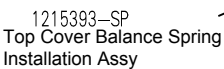
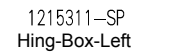
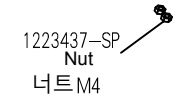
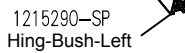
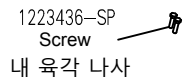
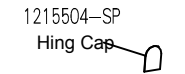
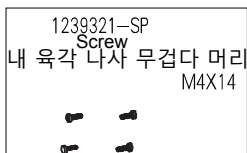
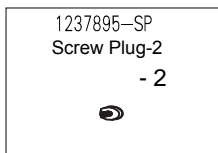
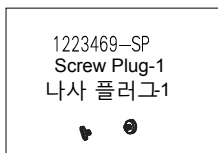
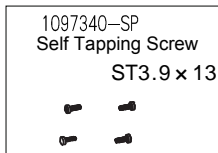
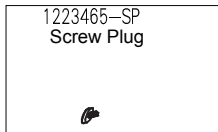
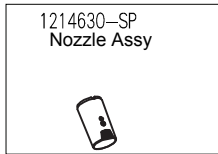
Bracket nut  
方螺母



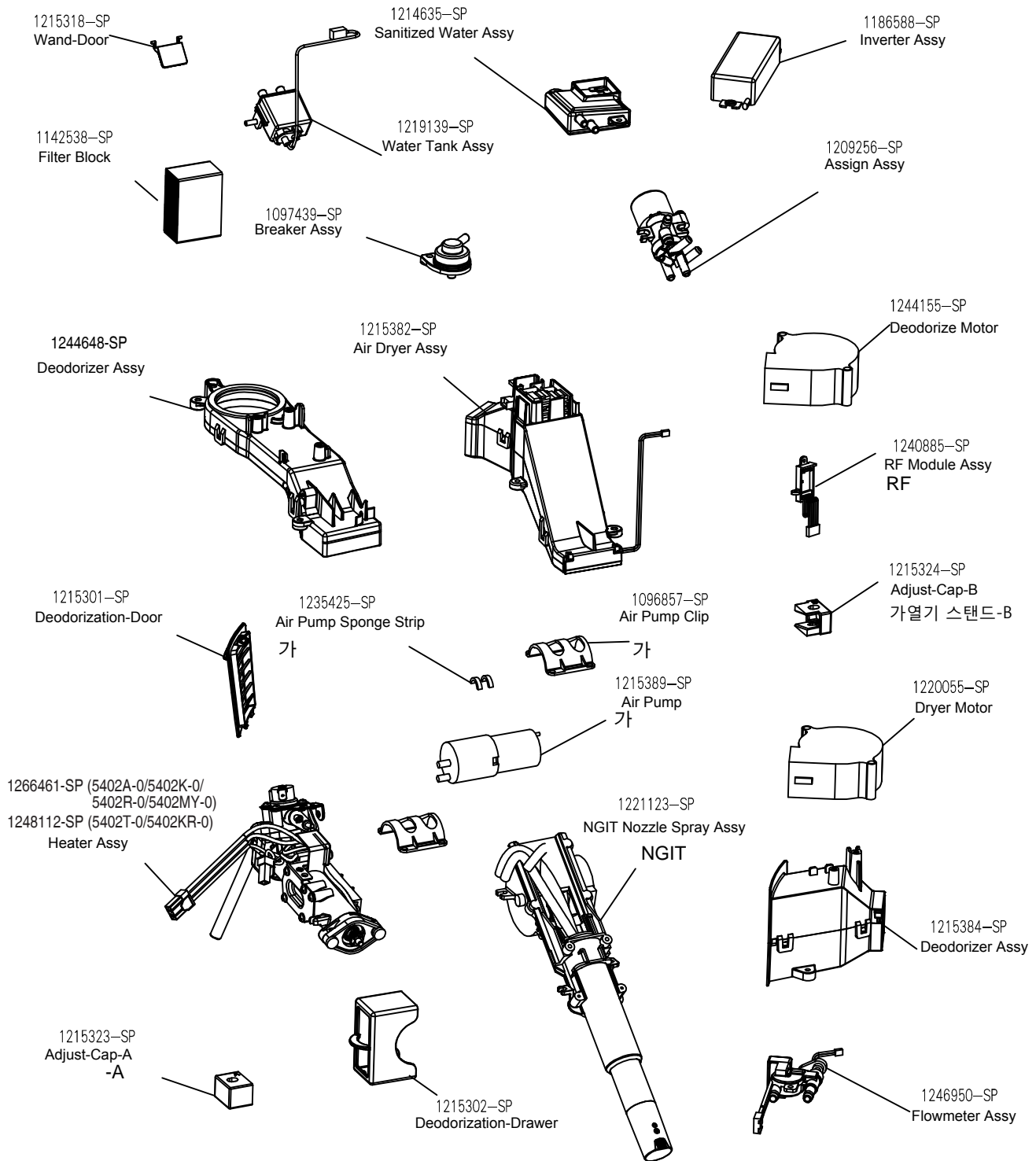
Interior Hexagon Wrench  
六角扳手

订购时请说明颜色代码(-\*)或表面处理(-\*\*) Color code (-\*) or finish (-\*\*) must be specified when ordering.  
盖板的维修零件请详见盖板的维修零件图。

Please refer to service parts page packed with seat for detailed seat service parts.



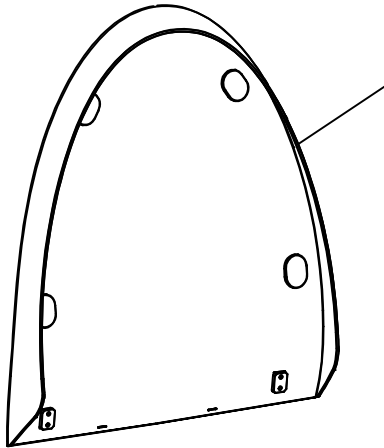
주문할 때 밝혀주시는 색 코드 (\*) 또는 표면 처리(\*\*)  
Color code (\*) or finish (\*\*) must be specified when ordering.  
위에 지은 수리 부품 참고 상세한 것은 위에 지은 부품 도면  
Please refer to service parts page packed with seat for detailed seat service parts.



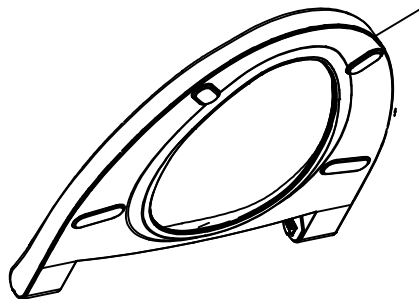
(-\*) (\*\*) Color code (-\*) or finish (\*\*) must be specified when ordering.

Please refer to service parts page packed with seat for detailed seat service parts.

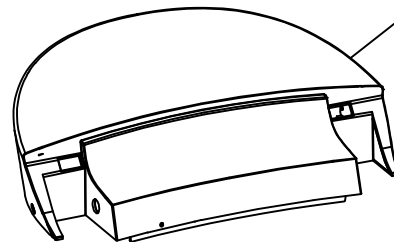
1215381-SP-\*  
Lid Welding Assy



1215380-SP-\*  
Seat Assy



1216555-SP-\*  
Body Welding Assy

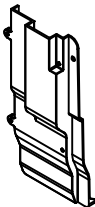


1266921A-SP (5402A-0)  
1240799K-SP (5402K-0)  
1240799R-SP (5402R-0)  
1240799MY-SP (5402MY-0)  
1240799-SP (5402T-0)  
1240799KR-SP (5402KR-0)  
Main Control And Driving  
Control Module PCBA  
메인컨트롤 드라이브 보드

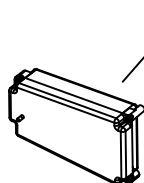
1231122-SP  
PCBA Cover  
상부 커버



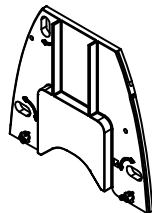
1231127-SP  
PCBA Top Box  
박스 커버



1267993-SP  
Switching Power Supply Assy



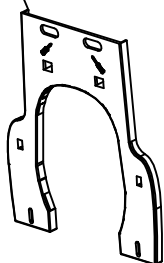
1231126-SP  
Switch Power Bracket  
스위치 전원스탠드



1215388-SP  
Microwave Welding Assy  
마이크로웨이브 용접 모듈



1242945-SP  
Wire Protection Board  
와이어 보호판



1248431-SP  
Metal Bracket  
금속 스탠드



1241002-SP  
Microwave Clamp Spring  
마이크로파 서클립



1241000-SP  
Microwave Bracket  
마이크로파 받침대

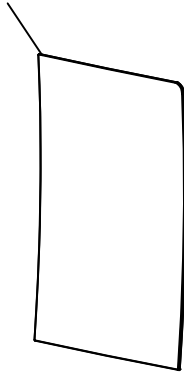


주문할 때 밝혀주시요 색 코드 (-\*) 또는 표면 처리(-\*\*) Color code (-\*) or finish (-\*\*) must be specified when ordering.

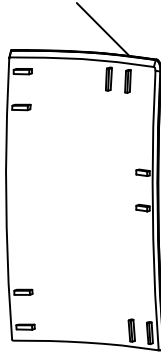
위에 지은 수리 부품 참고 상세한 것은 위에 지은 부품 도면

Please refer to service parts page packed with seat for detailed seat service parts.

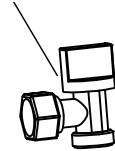
1230937-SP  
Side Panel Left



1230938-SP  
Side Panel Right



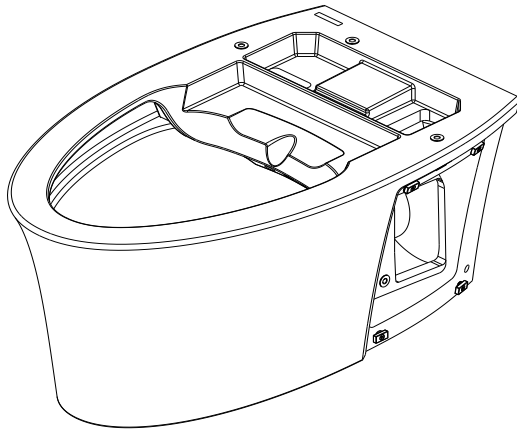
1244642-SP  
Inlet Valve



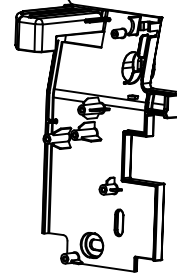
1261679-SP (5402A-0)  
Double Check Valve 복  
식역지밸브



1261680-SP (5402A-0)  
Gasket 고무 와셔



1231120-SP  
Valve Bracket  
진수밸브 스탠드



1244676-SP  
Inlet Valve Assy

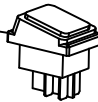
Bidet 물 밸브 구성 요소



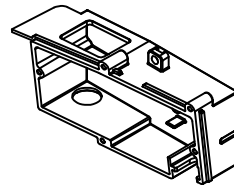
1214964-SP  
Magnet  
자석



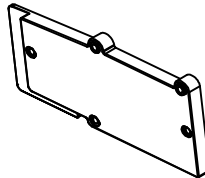
1237271-SP  
Power Switch Button  
전원 스위치버튼



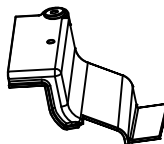
1235341-SP  
Connect Box -Base  
꼭지통 베이스



1262826-SP (5402A-0)  
1249310-SP (5402T-0/5402K-0/  
5402R-0/5402KR-0/5402MY-0)  
Connect Box -Cover  
접선함 커버



Protective Plate  
와이어 보드



1235343-SP  
Protection Ring  
케이블 고무보호 커버



1237272-SP  
Terminal Blocks Platform  
접선 단자대



주문할 때 밝혀주시죠 색 코드 (-\*) 또는 표면 처리(-\*\*)  
Color code (-\*) or finish (-\*\*) must be specified when ordering.

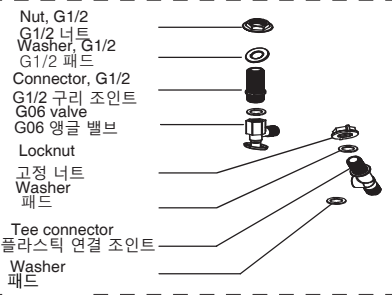
위에 지은 수리 부품 참고 상세한 것은 위에 지은 부품 도면

Please refer to service parts page packed with seat for detailed seat service parts.



**Inlet mounting kit**

물 밸브설치 구성 요소



1226873-SP (5402T-0/5402K-0/5402KR-0)

1248535-SP (5402A-0/5402MY-0/5402R-0)

Hose for bidet seat

변기 뚜껑 짓다 피드 튜브

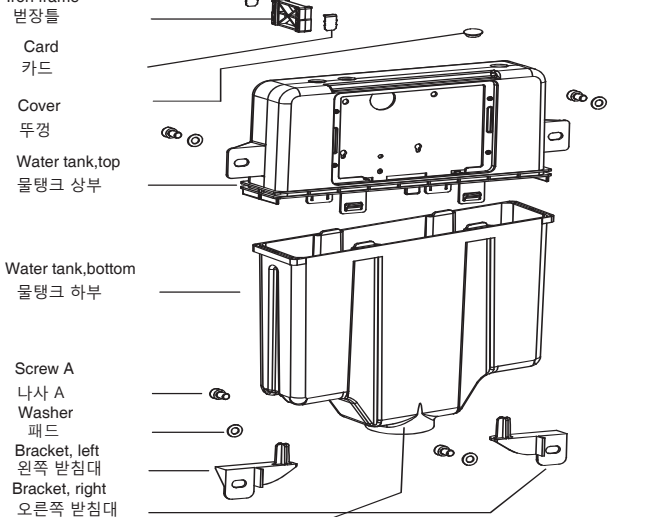
1230086-SP

Cord,3 wires to Bidet seat

세 라인 지능 변기

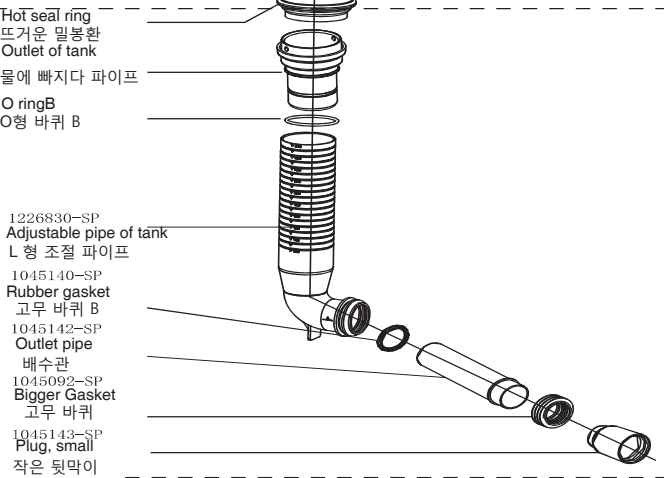
Plastic tank assy.

플라스틱 물탱크 구성 요소



Outlet pipe assy

독하다 수도관 구성 요소

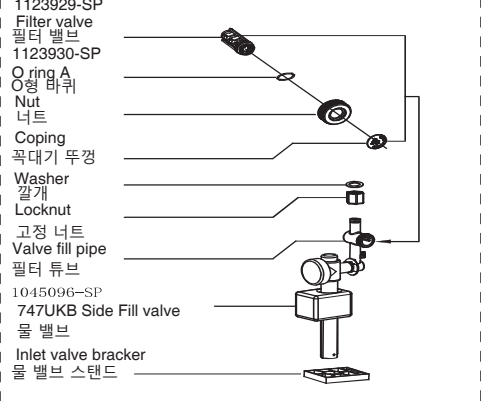


1112171-SP (5402T-0/5402K-0/5402KR-0/5402A-0)

1264865-SP (5402R-0/5402MY-0)

Fill valve assy.

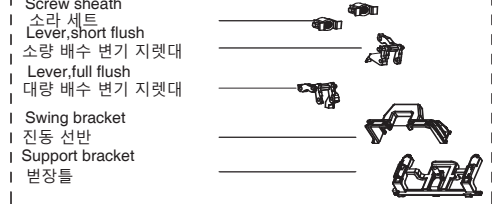
물 밸브 구성 요소



1226837-SP

Lever assy.

지렛대 구성 요소



1226843-SP

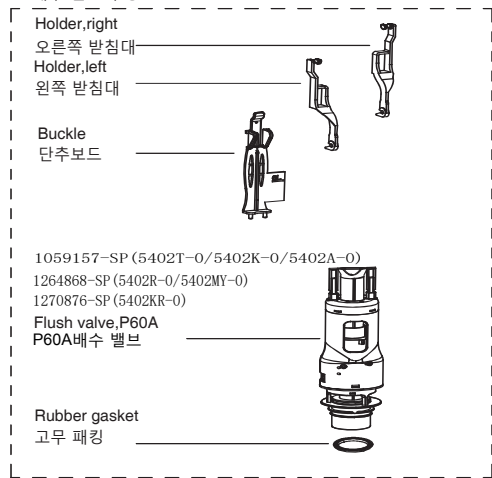
Motor driving module, Assy

모터 갑 구성 요소



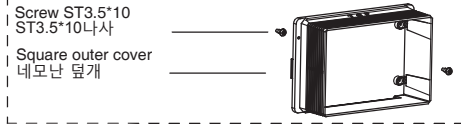
Flush valve assy.

배수 밸브 구성 요소

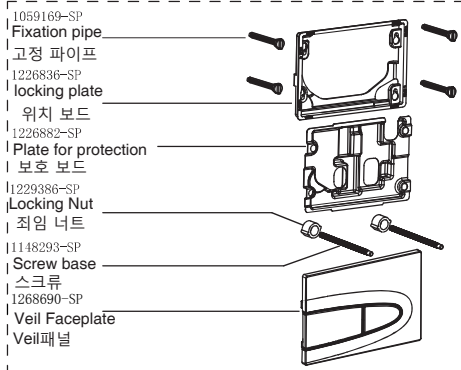


주문할 때 밝혀주시요 색 코드 (-\*) 또는 표면 처리(-\*\*) Color code (-\*) or finish (-\*\*) must be specified when ordering. 위에 지은 수리 부품 참고 상세한 것은 위에 지은 부품 도면 Please refer to service parts page packed with seat for detailed seat service parts

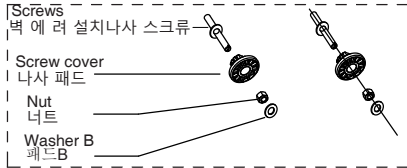
1229385-SP  
Square mask assy.  
네모난 덮개구성 요소



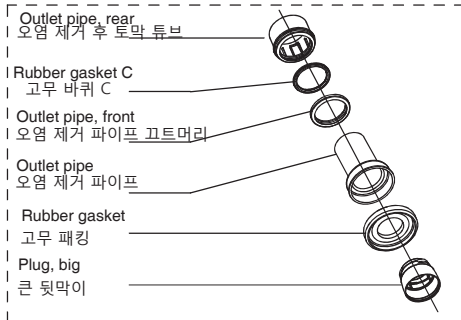
1268687-SP  
Veil in wall tank faceplate  
VEIL 은미하다 식 물탱크 패널



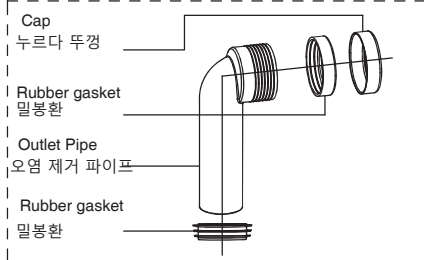
1247203-SP  
Assembly kit for wall-hung bowl  
벽 에 러 설치나사 구성 요소



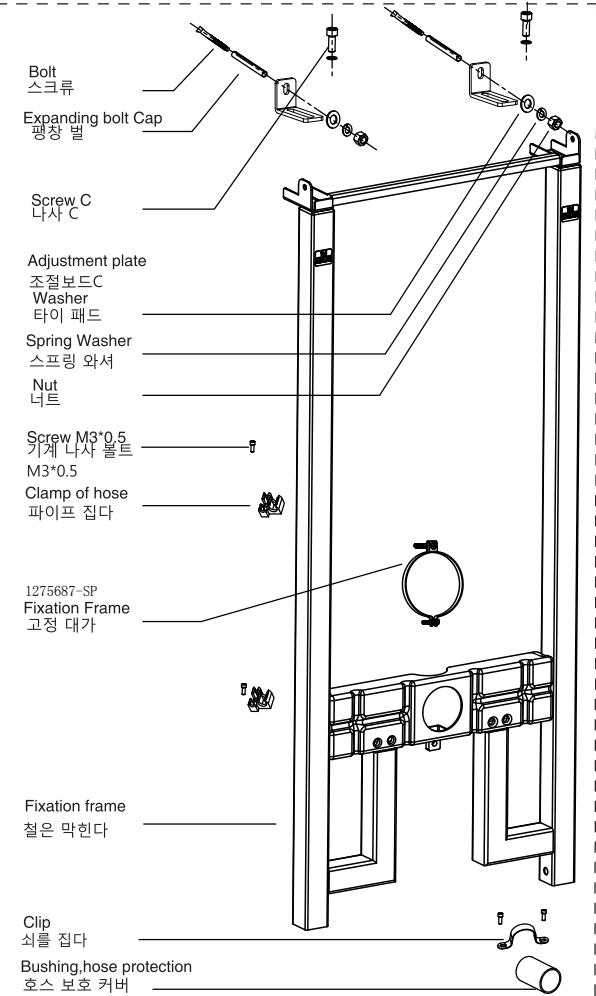
1045169-SP  
Outlet pipe assy.  
배수 구성 요소



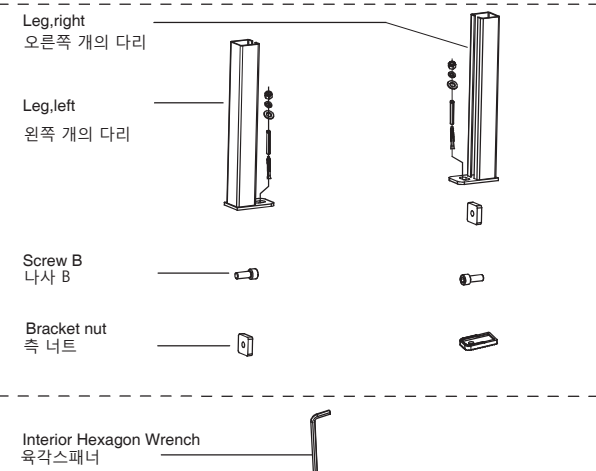
1148294-SP  
Waste pipe assy.  
오염 제거 파이프 구성 요소



Fixation frame assy.  
철은 막힌다 구성 요소



Mechanical kit for fixation with floor  
개의 다리 구성 요소



주문할 때 밝혀주시오 색 코드 (-\*) 또는 표면 처리(-\*\*)

Color code (-\*) or finish (-\*\*) must be specified when ordering.  
위에 지은 수리 부품 참고 상세한 것은 위에 지은 부품 도면  
Please refer to service parts page packed with seat for detailed seat service parts